



USER MANUAL

BP500L SERIES



Version : Rev.B
Issue Date : 2018.02.13
P/N : 920-016411-00

CONTENTS

1	Barcode Printer	1
1-1	Box Content	1
1-2	Getting To Know Your Printer	2
2	Printer Setup	4
2-1	Open The Printer Cover	4
2-2	Open The Printing Mechanism	5
2-3	Loading The Ribbon	6
2-4	Loading The Label Roll	8
2-5	Installing The Label Supply Hub	10
2-6	Preparing For Tag Printing	11
2-7	Installation of External Label Roll and Fanfold Label Roll	12
2-8	Connecting The Printer To The Host Computer	13
2-9	Wizard CD Standard Installation	14
2-10	Wizard CD Other Choice Installation	17
3	Operation Panel	20
3-1	LED Operation Panel	20
3-2	Label size calibration and Self Test Page	21
3-3	Error Alerts	22
4	NetSetting for Ethernet	23
4-1	Installing the NetSetting software	23
4-2	The Interface of NetSetting	25
5	Accessories	32
5-1	Installing the Label Dispenser	33
5-2	Installing The Cutter	38
5-2-1	Installing The Guillotine Cutter	38
5-2-2	Installing The Rotary Cutter	42
6	Maintenance And Adjustment	46
6-1	Cleaning The Print Head	46
6-2	Adjusting The Print Head Pressure	47
6-3	Adjusting The Print Line	48
6-4	Adjusting The Cutter	49
6-5	Troubleshooting	50

APPENDIX

FCC COMPLIANCE STATEMENT FOR AMERICAN USERS

This equipment has been tested and found to comply with the limits for a CLASS A digital device, pursuant to Part 15 subpart B of the FCC Rules. These limits are designed to provide reasonable protection against harmful interference when the equipment is operated in a commercial environment. This equipment generates, uses, and can radiate radio frequency energy and, if not installed and used in accordance with the instructions, may cause harmful interference to radio communications. Operation of this equipment in a residential area is likely to cause harmful interference in which case the user will be required to correct the interference at own expense.

EMS AND EMI COMPLIANCE STATEMENT FOR EUROPEAN USERS

This equipment has been tested and passed with the requirements relating to electromagnetic compatibility based on the standards EN55032:2010+AC:2011, Class A, EN61000-3-2:2006+A2:2009, EN 61000-3-3:2008 and EN55024:2010+A1:2015, IEC 60950-1(ed.2), IEC 60950-1(ed.2);am1, IEC 60950-1(ed.2);am2 series. The equipment also tested and passed in accordance with the European Standard EN55032 for the both Radiated and Conducted emissions limits.

BP500L Series

TO WHICH THIS DECLARATION RELATES IS IN CONFORMITY WITH THE FOLLOWING STANDARDS

IEC 60950-1(ed.2), IEC 60950-1(ed.2);am1, IEC 60950-1(ed.2);am2, GB9254-2008 (Class A) ; GB17625. 1-2012; GB4943.1-2011, EN55032:2010/AC2011 Class A, EN61000-3-2:2014, EN61000-3-3:2013 and EN55024: 2010 +A1:2015, UL 60950-1, 2nd Edition, 2014-10-14, CAN/CSA C22.2 No. 60950-1-07, 2nd Edition, 2014-10, CFR 47, part 15 subpart B

WARNING

This is a Class A product. In a domestic environment this product may cause radio interference in which case the user may be required to take adequate measures.

此为Class A产品，在生活环境中，该产品可能造成无线电干扰，在这种情况下，可能需要用户对其干扰采取切实可行的措施。

SAFETY INSTRUCTIONS

Please read the following instructions carefully.

- Keep the equipment away from humidity.
- Before you connect the equipment to the power outlet, please check the voltage of the power source.
- Make sure the printer is off before plugging the power connector into the power jack.
- It is recommended that you connect the printer to a surge protector to prevent possible transient overvoltage damage.
- Be careful not to get liquid on the equipment to avoid electrical shock.
- For safety and warranty reasons, **ONLY** qualified service personnel should open the equipment.
- Do not repair or adjust energized equipment under any circumstances.

CAUTION

- Danger of explosion if battery is incorrectly replaced. Replace only with the equivalent type recommended by the manufacturer.
- Dispose of used batteries according to the manufacturer's instructions.
- Only use with designated power supply adapter model.
- Changes or modifications not expressly approved by the party responsible for compliance could void the user's authority to operate the equipment.

Specifications are subject to change without notice



ATTENTION! Danger d'explosion lorsque la batterie est remplacée de façon incorrecte.

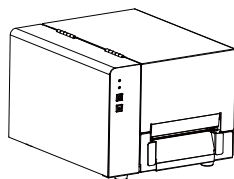
1 Barcode Printer

1-1 Box Content

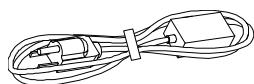
Please check that all of the following items are included with your printer.

(Package content and Logo style may vary per region °)

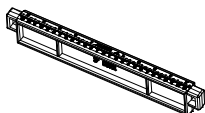
- Barcode Printer



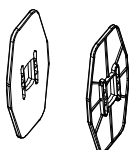
- Power Cord



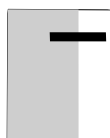
- Label Supply Hub



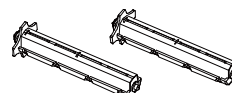
- Label Guide Plates (set of 2)



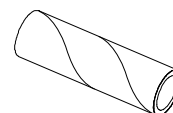
- Quick Reference Guide



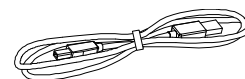
- Ribbon Hubs (set of 2)



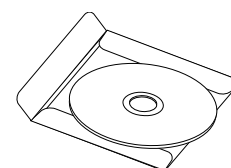
- Empty Ribbon Core



- USB Cable

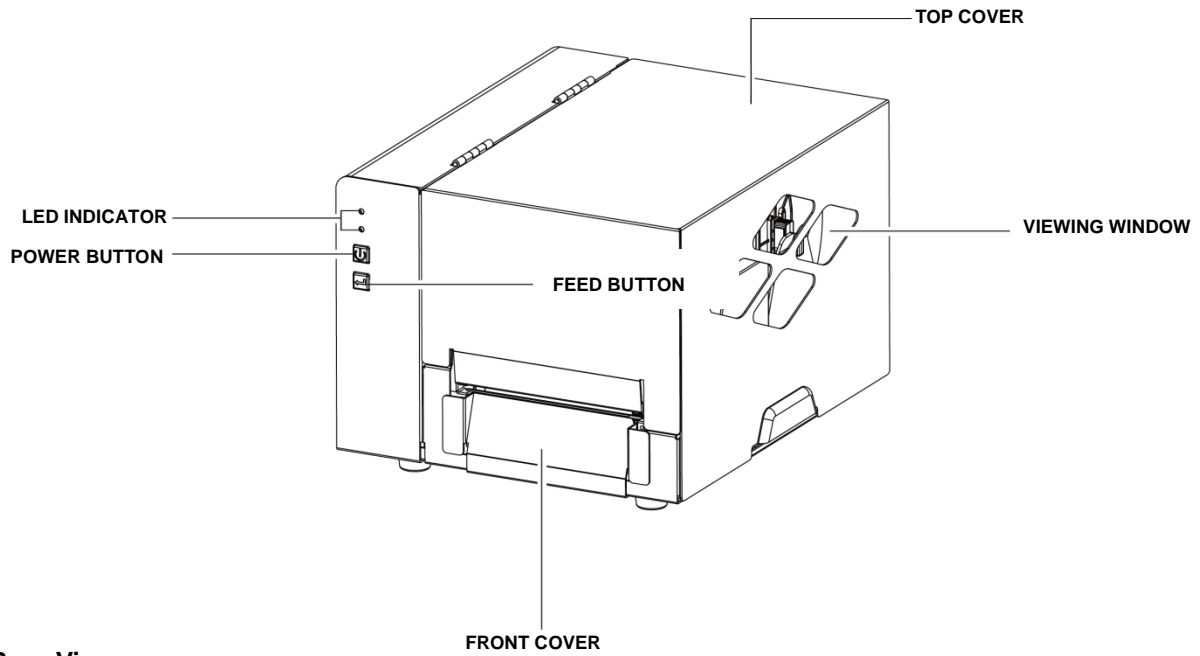


- CD (with QLabel software / user manual)

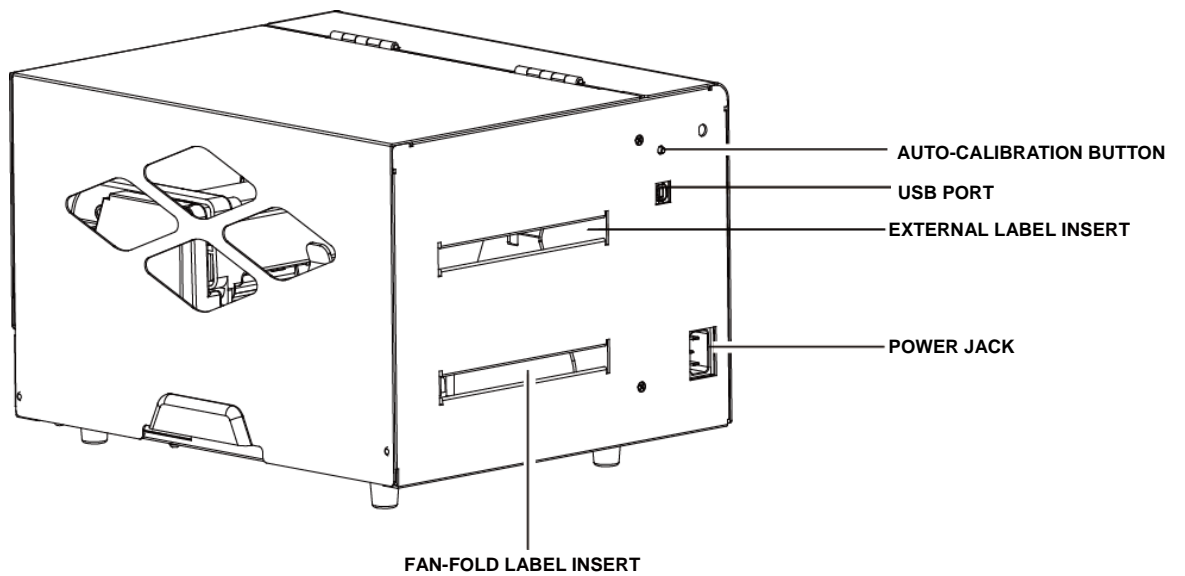


1-2 Getting To Know Your Printer

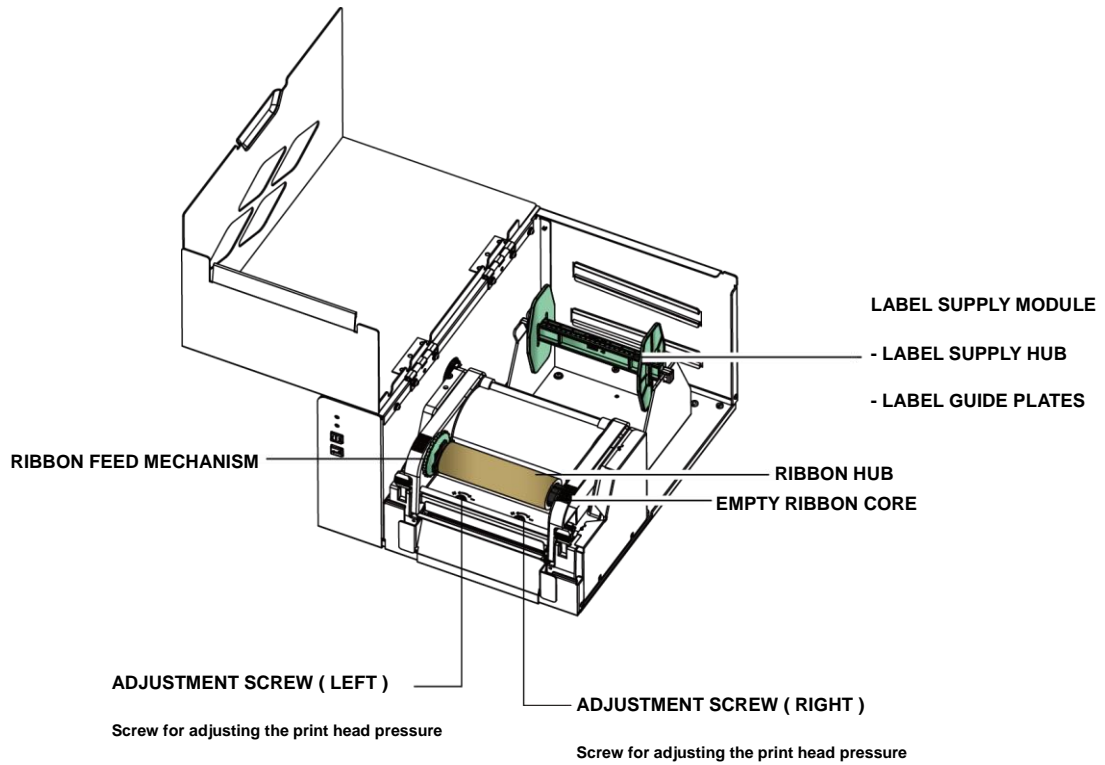
● Front View



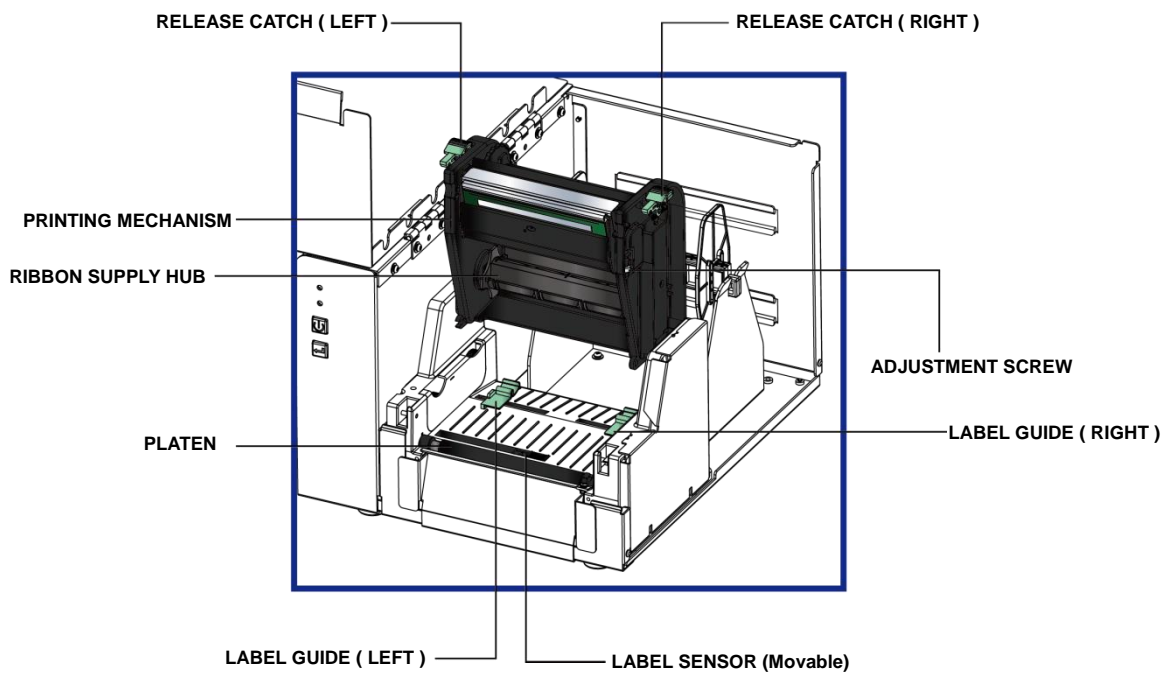
● Rear View



● **Open The Printer Cover**



● **Open The Printing Mechanism**

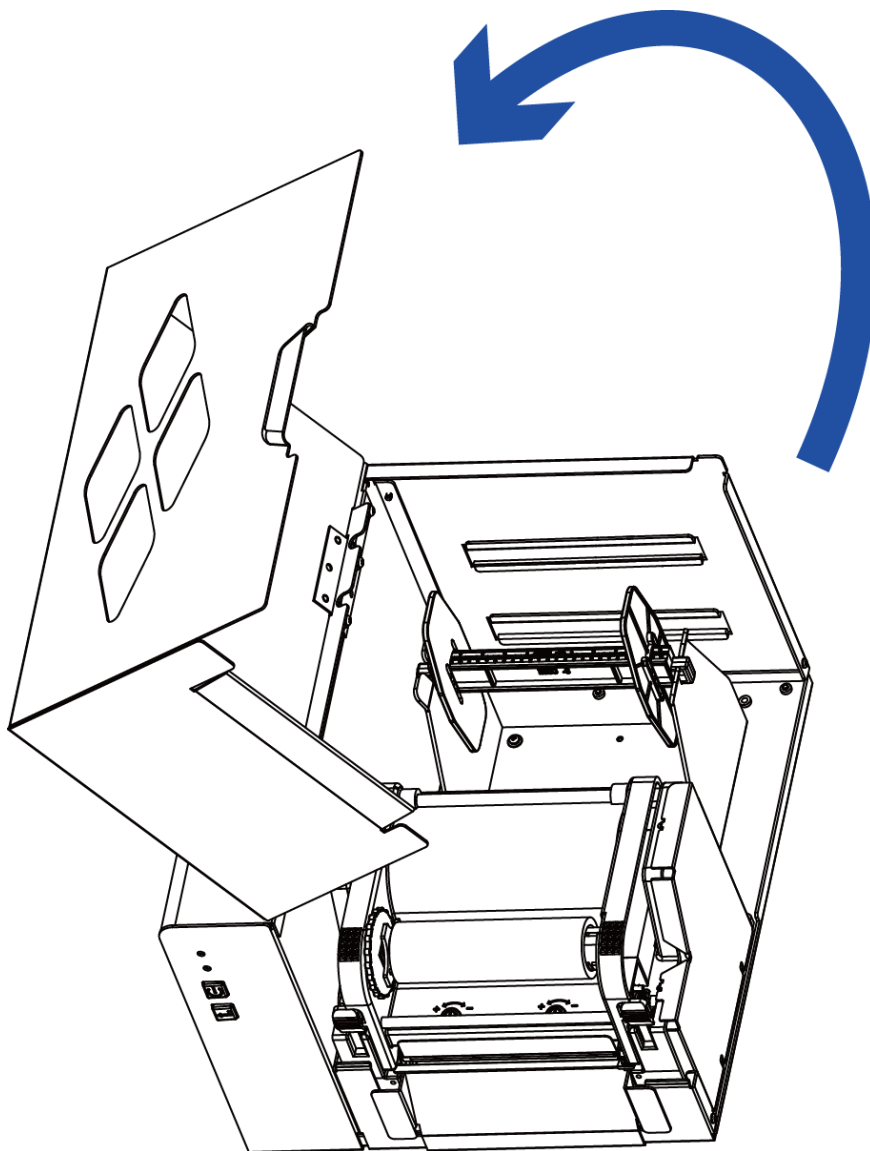


2 Printer Setup

2-1 Open The Printer Cover

➤ Pressing The Cover Open Buttons

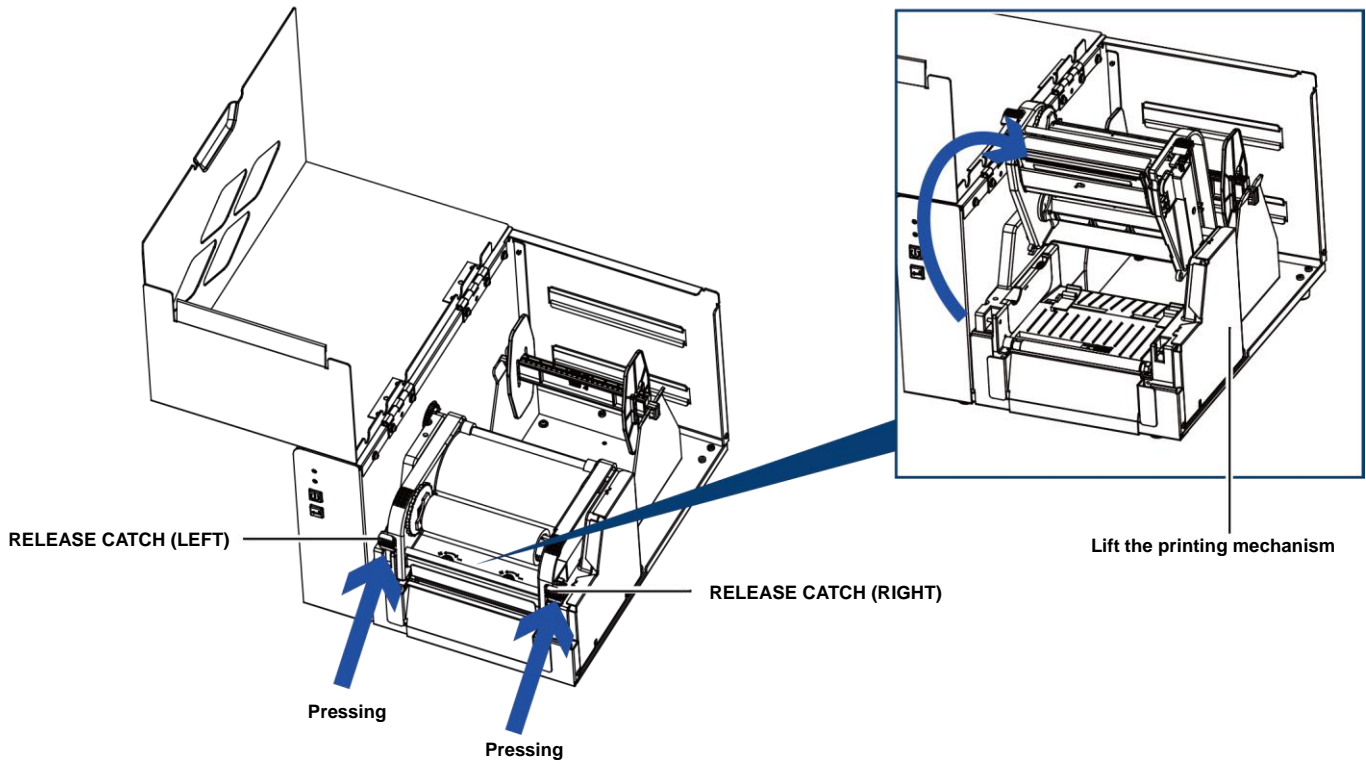
Place the printer on a flat surface. Open the printer cover by pressing the release buttons on both sides of the printer housing and lift the cover.



2-2 Open The Printing Mechanism

➤ Pressing The Release Catches

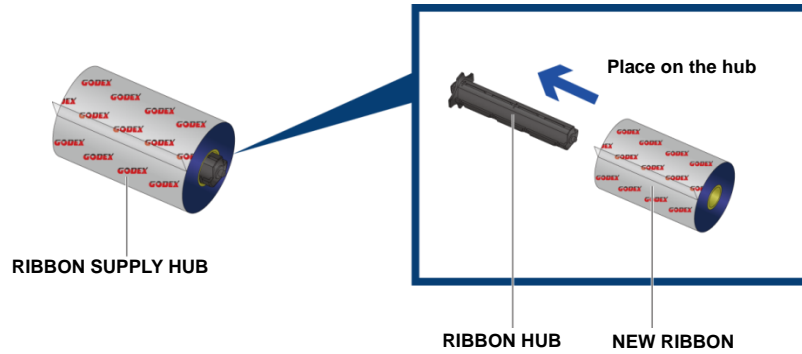
Release and lift the printing mechanism.



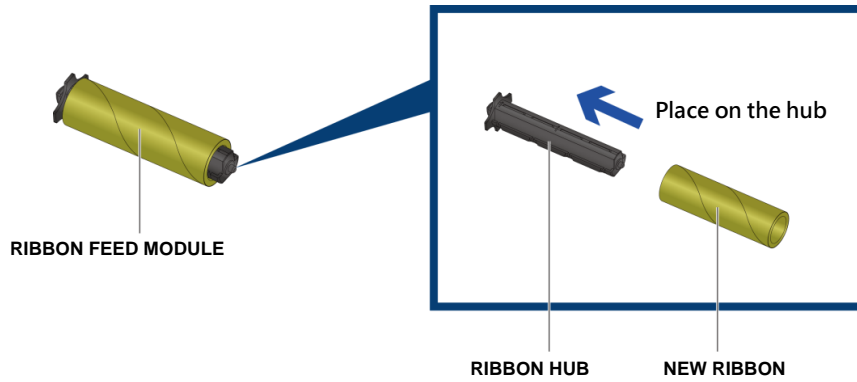
2-3 Loading The Ribbon

➤ A New Ribbon Module Installation

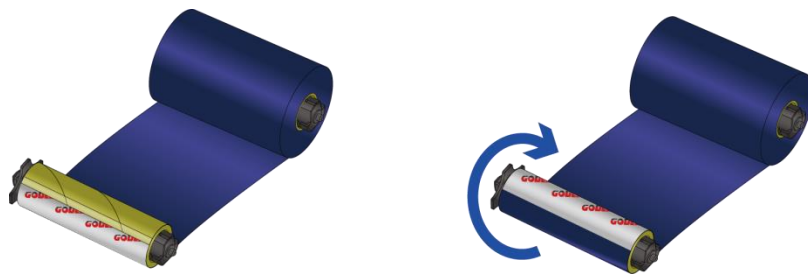
Place the new ribbon on the hub which forms a ribbon supply hub.



Place the empty ribbon core on the hub which forms a ribbon rewind hub.



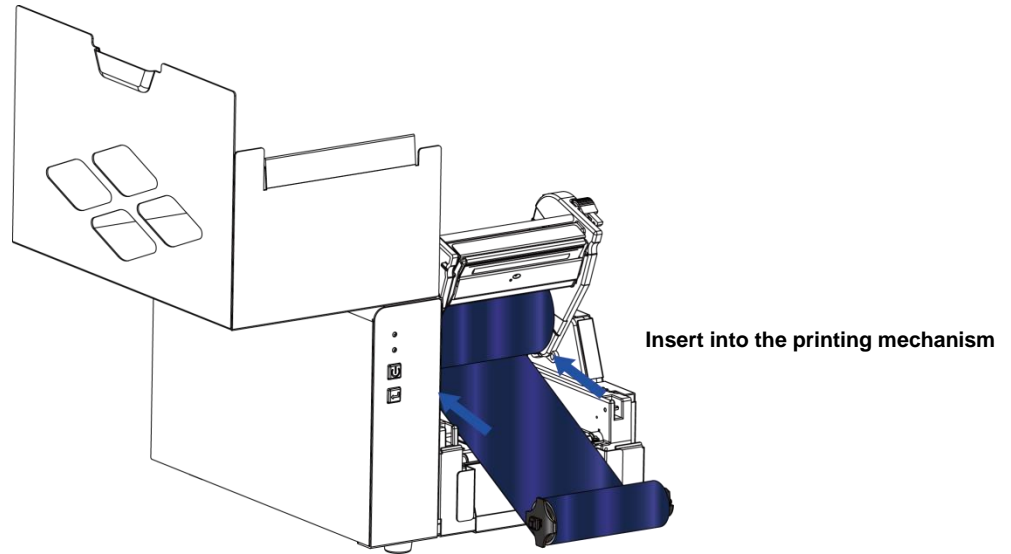
Stick the ribbon supply hub on the ribbon rewind hub and wind the rewind hub 2-3 circles.



Wind the ribbon around the core

➤ **Install The Ribbon On The Printer**

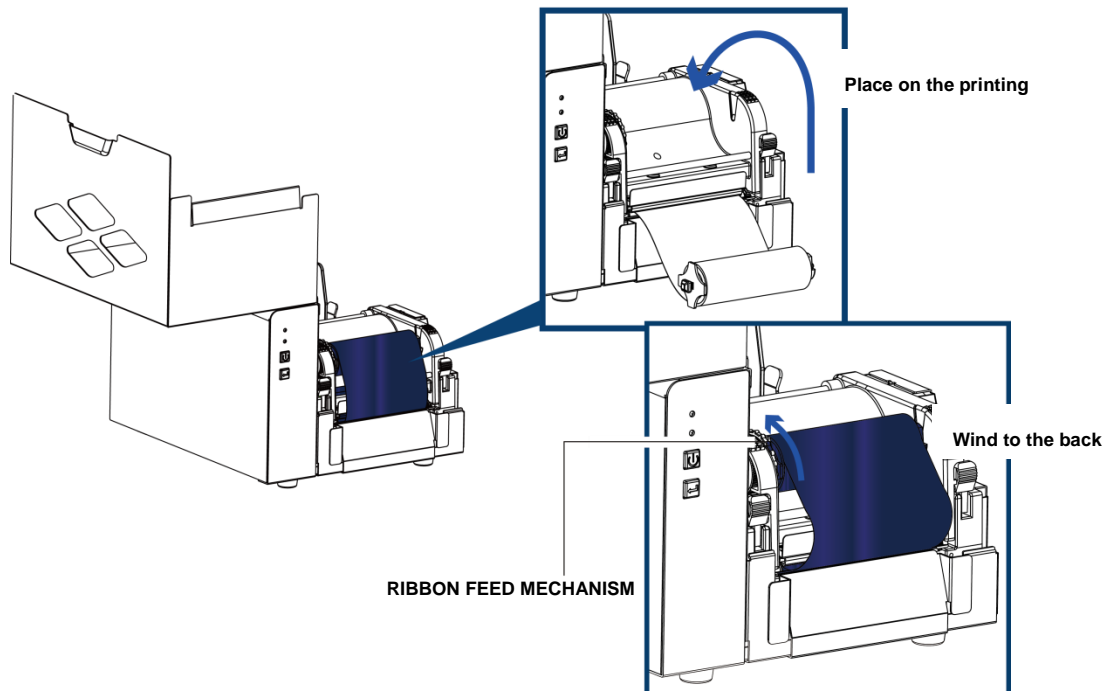
Place the ribbon supply hub at the back of the printing mechanism.



Pass the ribbon supply hub under the print head.

Insert the ribbon rewind hub on the ribbon feed mechanism.

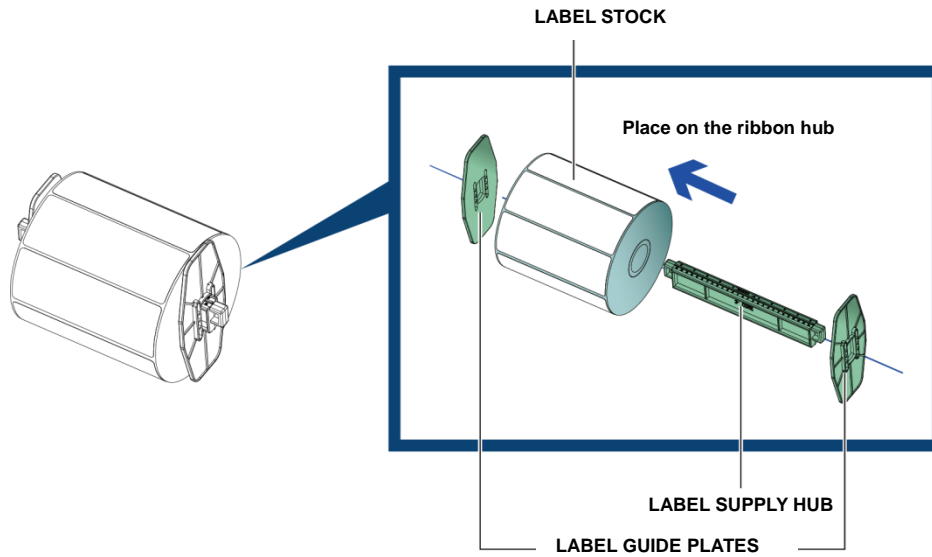
Close the printing mechanism, making sure that it clicks into place.



2-4 Loading The Label Roll

➤ A New Label Roll Module Installation

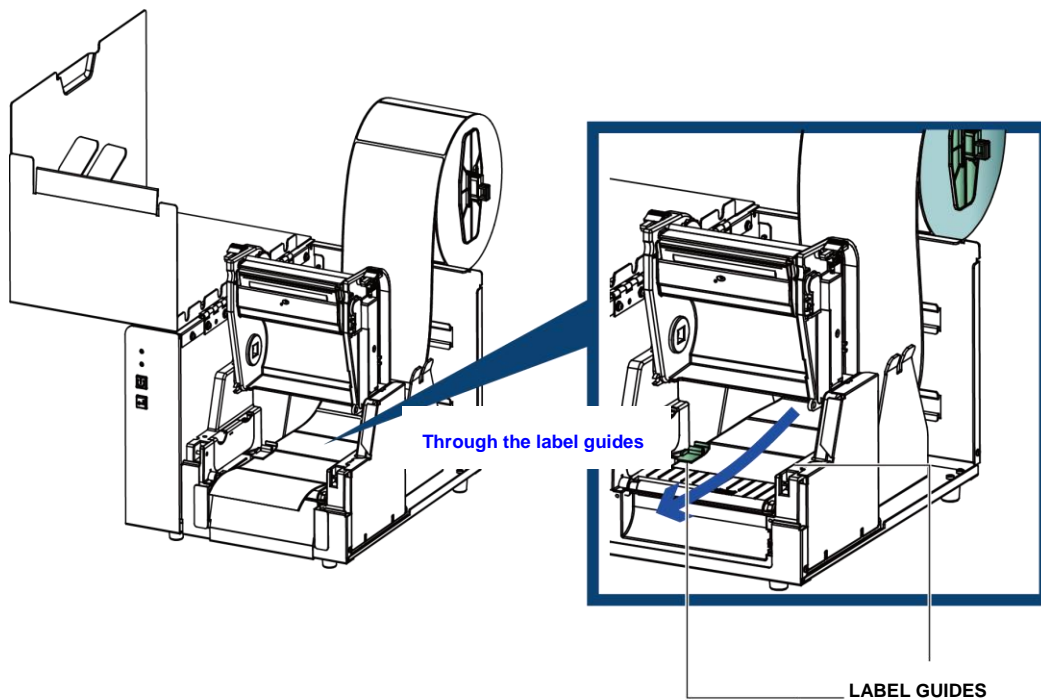
Place the label stock on the label supply hub, attach the guide plates to the label stock holder.



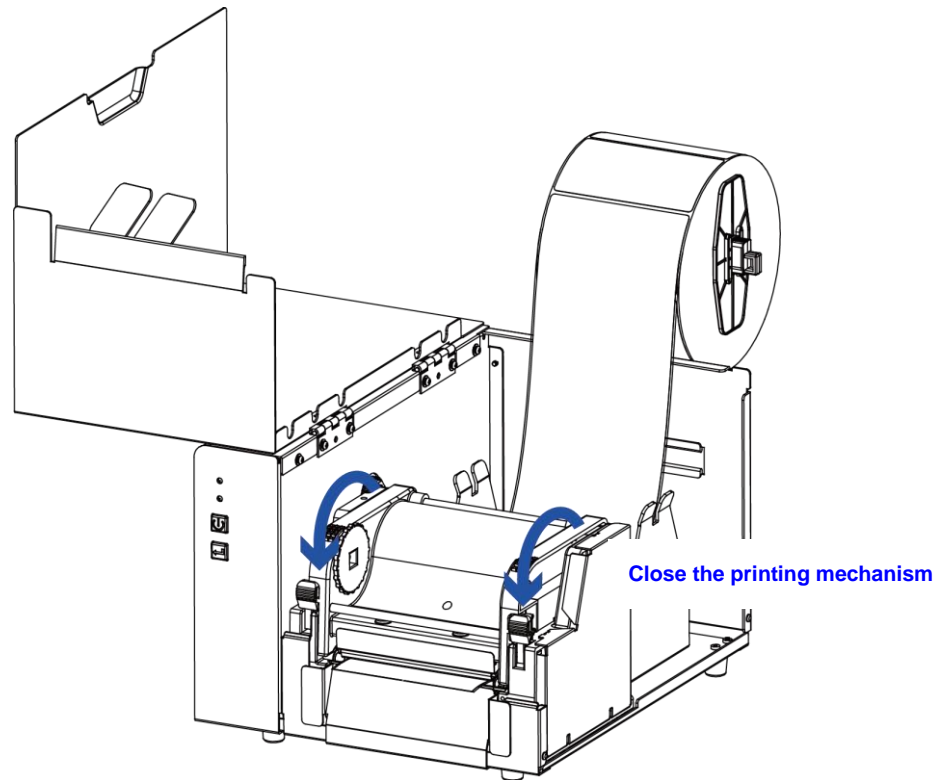
➤ Install The Label Roll Module On The Printer

Step.01 ➔ Press the release catches to lift the printing mechanism and Pass the labels through the label guides up to the tear-off plate.

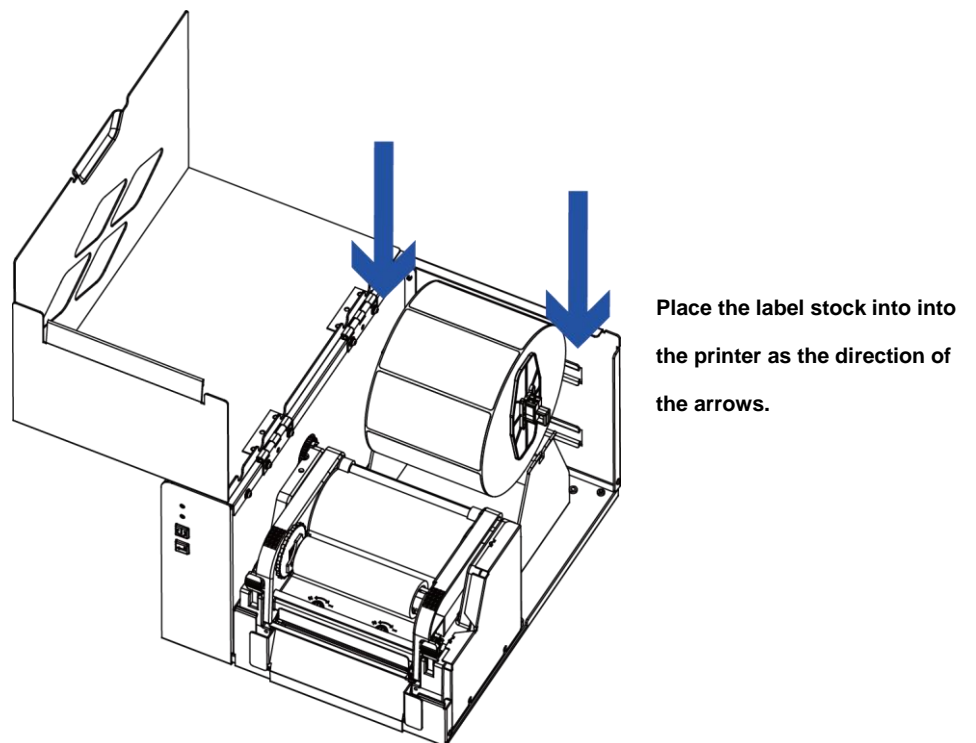
Adjust the label guides to the label width



Step.02 ➡ Close the printing mechanism.



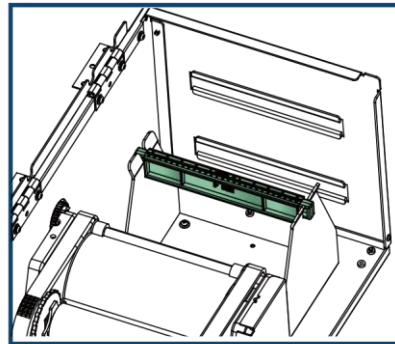
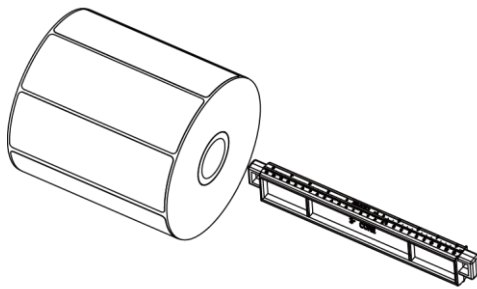
Step.03 ➡ Install The Label Roll Module On The Printer



2-5 Installing The Label Supply Hub

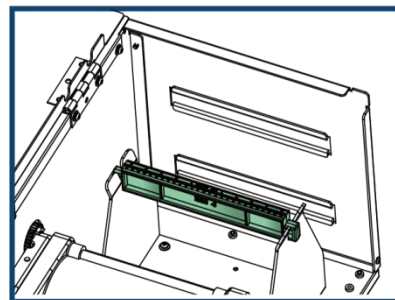
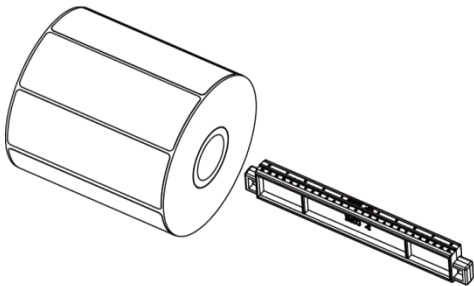
➤ 1" Cores

Installing the label supply hub for 1" cores.



➤ 1.5" Cores

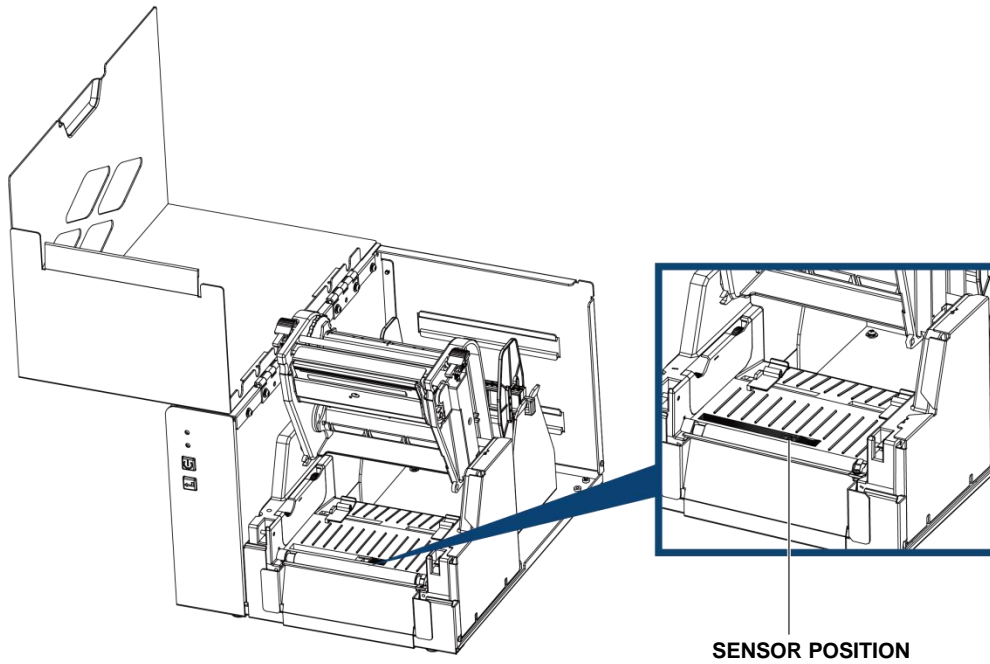
Installing the label supply hub for 1.5" cores.



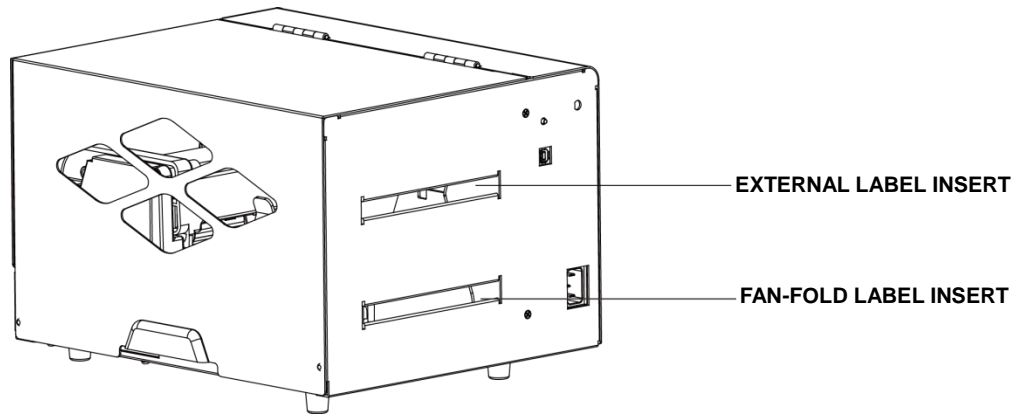
2-6 Preparing For Tag Printing

In tag printing, the tag hole indicates the height of a label. During adjustment, the sensor must therefore be positioned directly below the tag hole as shown in the illustration.

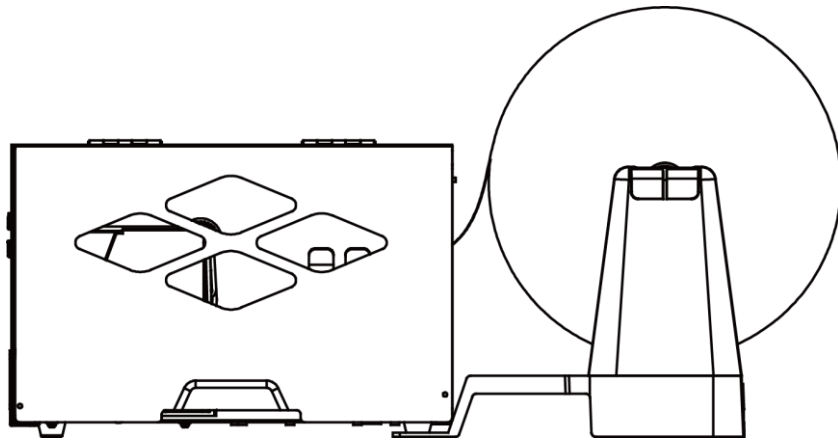
The tag hole should be at least 3 mm in diameter to ensure correct functioning.



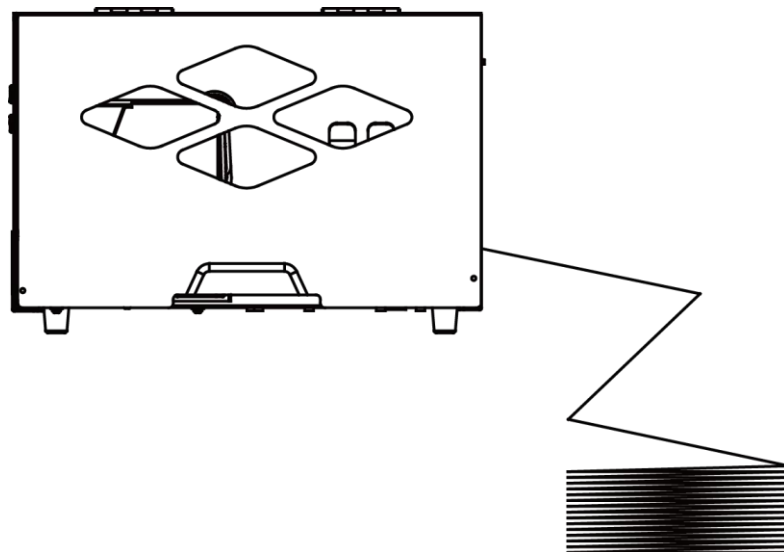
2-7 Installation of External Label Roll and Fanfold Label Roll



Installation of External Label Roll

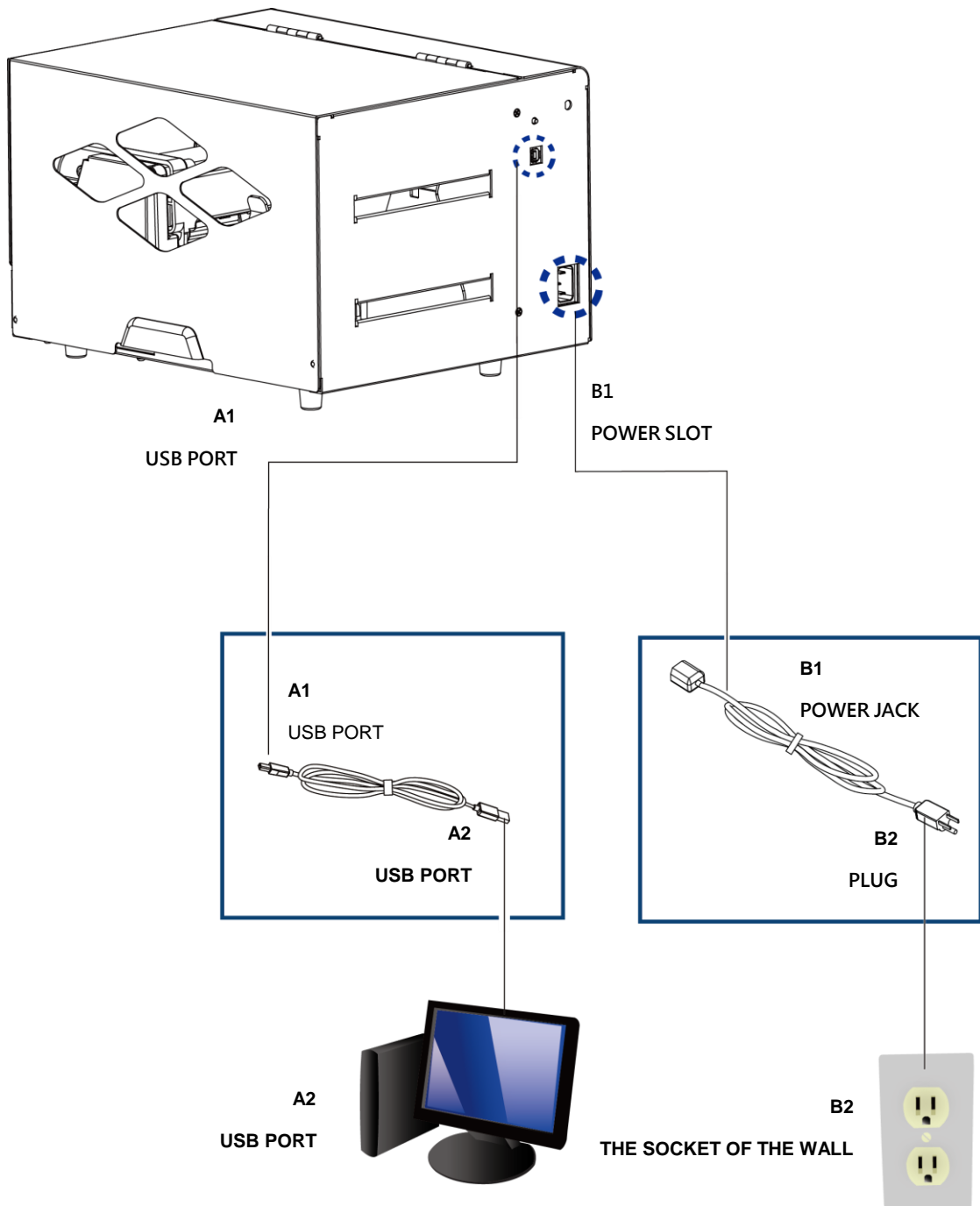


Installation of Fanfold Label Roll



2-8 Connecting The Printer To The Host Computer

- Please make sure that the printer is switched off.
- Connect the power cord to the AC adapter and connect the adapter to the printer.
- Connect the USB / parallel cable to the printer and host computer.
(The type of cable may vary according to the products which you purchase.)
- Switch on the printer. The LED indicator should now lights up.



2-9 Wizard CD Standard Installation

Step.01 ➔ Insert the Super Wizard CD in the CD/DVD drive of the host computer and the installation program should pop up automatically.

You will see the Welcome screen first. On the Welcome screen, choose “STANDARD INSTALLATION”.



Step.02 ➔ The wizard will then ask you to make sure your USB and power cables are connected and that the power is turned on. Then click “NEXT”.



Step.03 ➔ The next screen you will see is, “Install the GoLabel Software and Windows driver”. Click “NEXT” to continue.



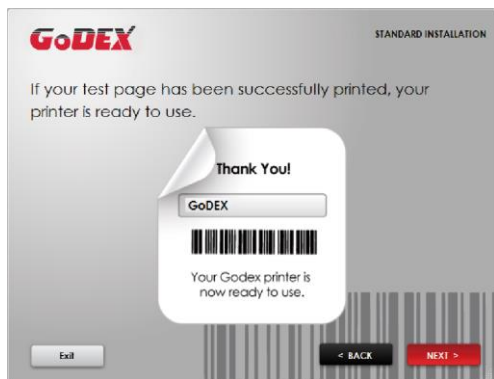
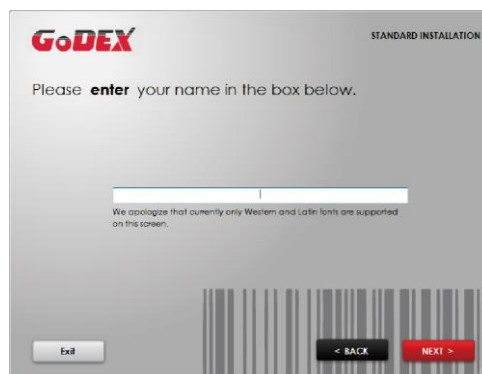
NOTE

* If the Super Wizard program did not run automatically, you can either turn on the “Auto-run” setting for your CD/DVD driver or double-click the icon of CD/DVD driver to run the program manually.

Step.04 ➔ As the printer driver and GoLabel are installing, a screen will display a progress bar. While downloading completed you will see Installation completed. Click “NEXT” to continue.



Step.05 ➔ You can also print a test label. If don't print a test label, the screen display as step 6.

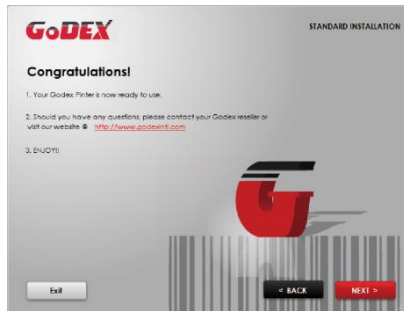


Note

* If you need more resources, tools or reference documents, you can also find them on Super Wizard CD.

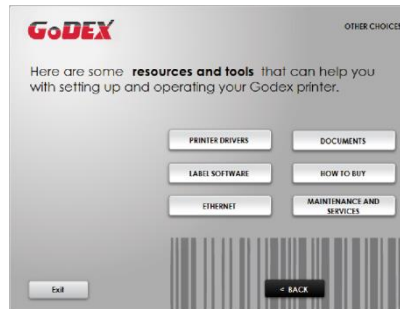
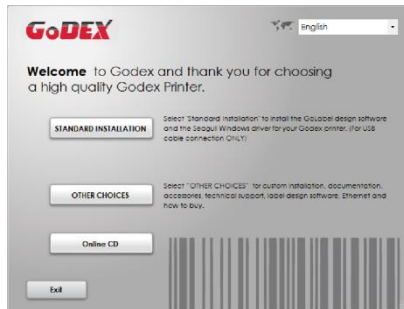
Just click “Other Choices” on the Welcome Screen to access the files.

Step.06 ➡ Once the installation is complete, you can start to make and print labels with GoLabel or through the printer driver.



2-10 Wizard CD Other Choice Installation

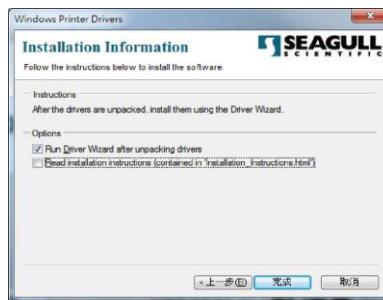
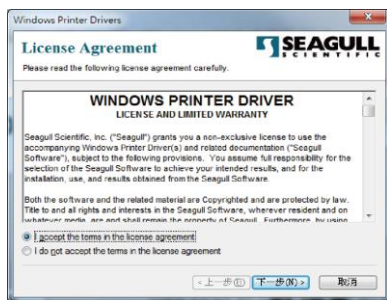
Step.01 ➔ Click “OTHER CHOICES” to next screen and select “PRINTER DRIVERS”.



Step.02 ➔ Click “INSTALL SEAGULL SCIENTIFIC WINDOWS DRIVER” to next screen, and click “NEXT”.



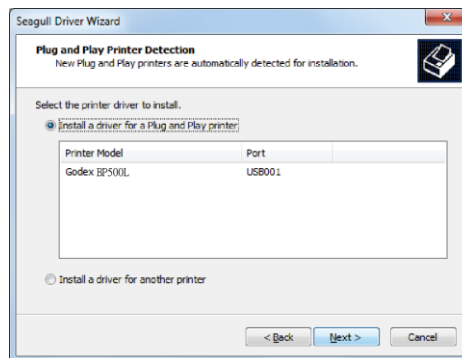
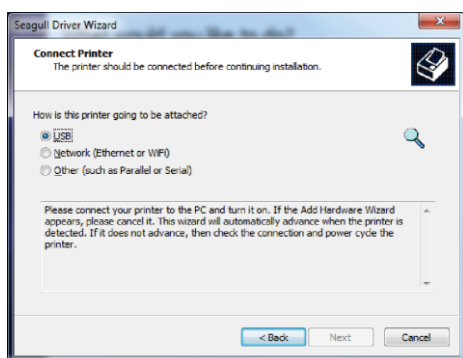
Step.03 ➔ Select “I accept the terms in the license agreement”, and click “Next” · then click “Finish” to step 4.



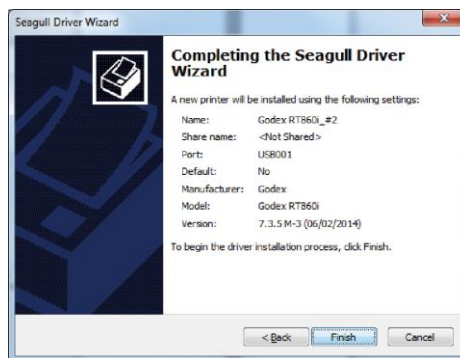
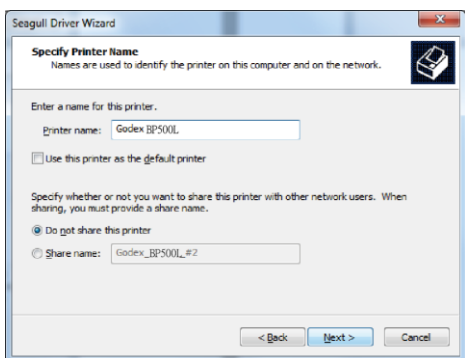
Step.04 ➔ The Driver Wizard will guide you through the installation procedure. Select "Install printer drivers" and click "Next".



Step.05 ➔ With a USB connection, search models such as the right diagram printer device. Specify your printer model and click "Next".



Step.06 ➔ Enter the printer name (you can use default), then click "Next" to display as right diagram. Click "Finish" button to start installation.



Step.07 ➡ Driver installation completed.



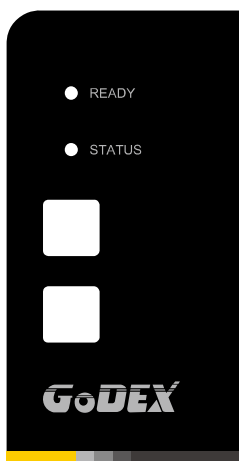
3 Operation Panel

3-1 LED Operation Panel

➤ **FEED Button**

When you press the FEED button, the printer moves the label to the defined stop position. If you are using continuous labels, pressing the FEED button will move label stock until you release the button again. If you are using individual labels, pressing the FEED button will move only one label. If the label does not stop at the correct position, please run the auto calibration (See Section 3-2. for the label size calibration function) on the label stock.

➤ **LED Indicators**



LED indicator	Beeps	Status	Description
READY Green	X	Standby mode	The printer is ready for operation.
STATUS X			
READY X	2 x 2 beeps	Error mode	The printer has detected an error. (See Section 3-3. for Error alerts)
STATUS Red	2 x 3 beeps		
	2 x 4 beeps		

3-2 Label size calibration and Self Test Page

The printer can automatically detect and store label height.

That means the host computer does not need to transmit the label height to the printer.

And the self-test function lets you check whether the printer is functioning normally.

Here is how you run the label size calibration and self test.

Step.01 ➡ Check that the label stock is loaded correctly.

Step.02 ➡ Switch off the printer.

Step.03 ➡ Switch the printer on again, keeping the FEED button pressed. When the READY LED starts to flash red and the STATUS LED lights up orange, release the FEED button. The printer will now measure the label stock and store the label height

Step.04 ➡ Once the printer has successfully measured the label stock, it will print a self-test label.

The contents of a self-test printout are listed below.








(The data below is for reference only, actual result may vary according to each situation.)

Model & Version	BP500L V2.005
USB ID setting	USB S/N: 20150331
Serial port setting	Serial port : 96,N,8,1 #####
Number of forms	000 FORM(S) IN MEMORY
Number of graphics	000 GRAPHIC(S) IN MEMORY
Number of fonts	000 FONT(S) IN MEMORY
Number of Asian fonts	000 ASIAN FONT(S) IN MEMORY
Number of Databases	000 DATABASE(S) IN MEMORY
Number of Scalable fonts	000 TTF(S) IN MEMORY
Free memory	XXXX KB FREE MEMORY
Speed, Density, Ref. Point, Print direction	^S4 ^H10 ^R000 ~R200
Label width, Form length, Stop position	^W100 ^Q100,0,3 ^E0
Cutter, Label Dispenser, Mode	Option : ^D0 ^O0 ^AD
Sensor Setting	Reflective AD : 0.93 1.31 1.70 [7.7]
Code Page	Code Page : 850

3-3 Error Alerts

In the event of a problem that prevents normal functioning of the printer, you will see an error message on LED indicators and hear some beep signals. Please refer to below table for the error alerts.

- Light on 
- Flashing 

LED indicator		Beeps	Description	Solution
READY	STATUS			
		2 x 4 beeps	The printing mechanism is not correctly closed.	Open the print mechanism and close it again.
		None	High temperature at the print head.	Once the print head has cooled down, the printer switches to standby mode.
		2 x 3 beeps	No ribbon is installed and the printer displays an error.	Make sure that the printer is set to direct thermal printing mode.
			The ribbon is finished or the label apply hub is not moving.	Replace the ribbon roll.
		2 x 2 beeps	No paper is detected	Make sure that the label sensor is positioned correctly. If the sensor still does not detect the paper, run the auto-detection function again.
			Paper is finished.	Replace the label roll.
			Printer feed problem.	Possible reasons: the print medium has become trapped around the rubber roll; the sensor cannot detect a gap or black mark between the labels; there is no paper. Please reset the sensor.
		2 x 3 beeps	The memory is full. The printer prints the message "File System full".	Delete unnecessary data or install additional memory.
		2 x 2 beeps	Unable to find file. The printer prints the message "File Name Not found".	Use the "~X4" command to print all files. Then check whether the files exist and whether the names are correct.
			A file of the same name already exists. The printer prints the message "Duplicate Name".	Change the name of the file and try storing it again.

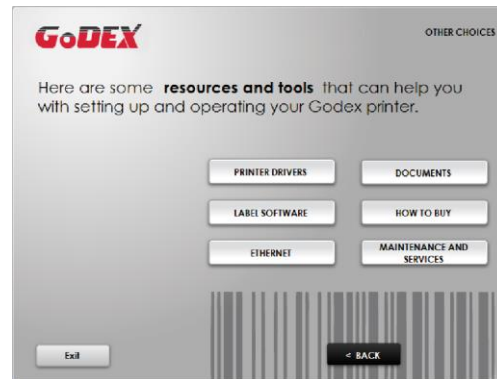
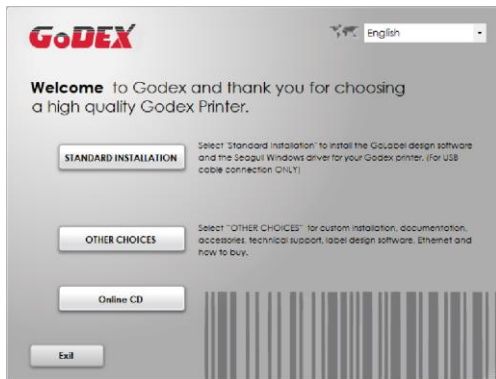
4 NetSetting for Ethernet

4-1 Installing the NetSetting software

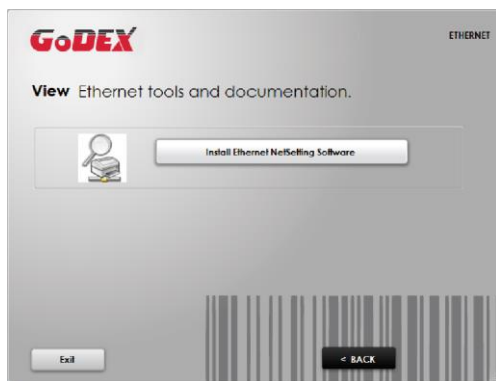
The NetSetting software is used to manage the network configurations when connecting the printer via Ethernet port. It is available on product CD or can be downloaded from official website. To install the NetSetting, please follow below steps.

Step.01 ➡ Insert the product CD in the CD/DVD drive, and click "OTHER CHOICES" button.

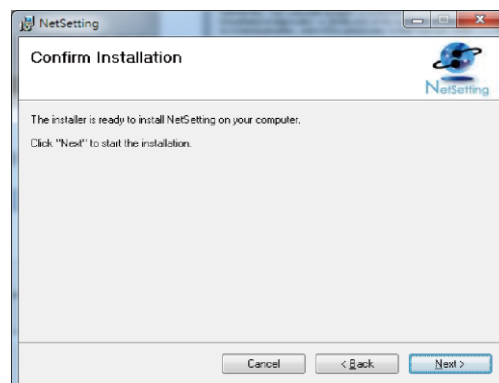
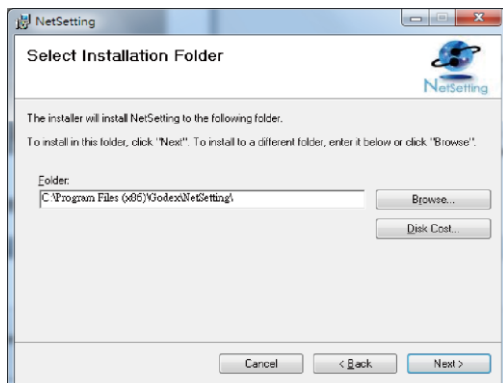
Step.02 ➡ Select "ETHERNET".



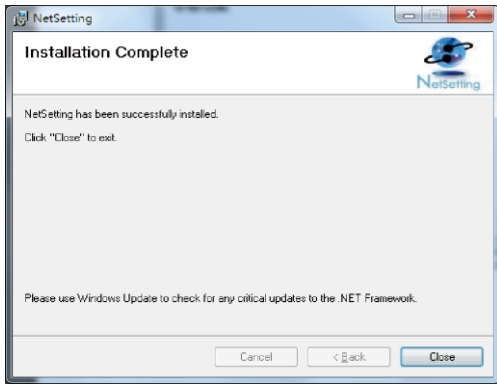
Step.03 ➡ Click "Install Ethernet NetSetting Software", installation screen as right diagram, click "Next".



Step.04 ➡ Specify the "Installation Folder", then click "Next" to installing.



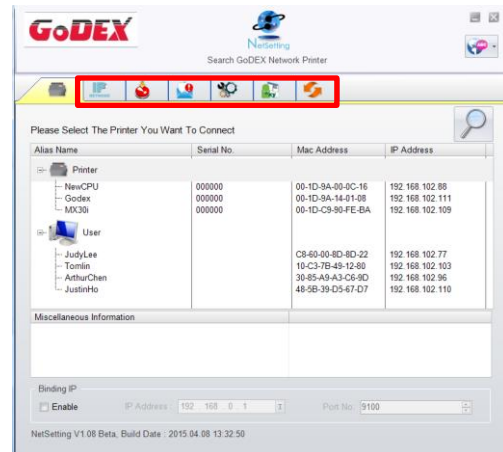
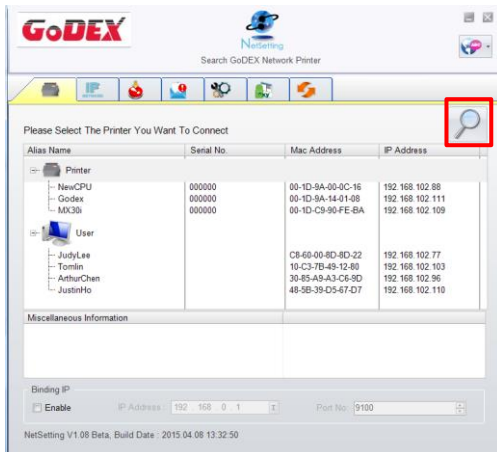
Step.05 ➡ Once the installation is completed, you will see the NetSetting icon on your desktop as right diagram.



4-2 The Interface of NetSetting

GoDEX printer can also be used through a network connection (as a remote network printer), make sure the printer connected to the Internet and the power cord, you can use the Interface of NetSetting to search connected network printers.

Step.01 ➡ Click the NetSetting icon to start the program, you will see the start page as left diagram. Click the magnifier icon to search the Godex printers which are connected via Ethernet port in you network environment (as right diagram).



Step.02 ➡ There are six tabs on the top of interface which can configure different types of network settings. But for the data security reason, you need correct password to enter the configuration pages.



NOTE

* The default password is "1111", you can change the password later from the "IP Setting" tab.

IP Setting

The IP Setting tab can change the printer name, Port number, Gateway setting and the password for configuring the printer. You can also set the printer's IP address either by DHCP or by Static IP.

The screenshot shows the 'NetSetting IP Setting' window. At the top left is the 'GoDEX' logo. To its right is the 'NetSetting' logo with a globe icon and the text 'IP Setting'. Below the logos is a navigation bar with several icons: a printer, a network icon, a red circle with a white exclamation mark, a gear, a folder, and a refresh icon. The main content area contains the following fields and controls:

- Printer Name: Length(1~16)
- Port No:
- Default Gateway:
- Password: Length(1~4)
- Get IP From DHCP Server
- Static IP
- IP Address:
- Subnet Mask:
-
-

You can press “Set” button to apply the settings and “Refresh” button to refresh the setting values.

NOTE

* To fully benefit from the NetSetting software, you should be familiar with basic networking principles. Please contact your network administrator for related network setting information.

* When enabling DHCP, if you find the IP Address as: IP = 169.254.229.88, Net mask = 255.255.0.0, Gateway = invariable (last value), the IP Address is invalid.

Alert Path Setting

NetSetting will send the alert messages to designated mail account when the error happened on printer.

The alert messages are sent by SMTP (Simple Mail Transfer Protocol) or SNMP (Simple Network Management Protocol).

You can set or change the configurations of SMTP and SNMP on this “Alert Path Setting” tab.

GoDEX NetSetting Alert Mail Setting

Enable SMTP Alert Message Notification

Login Account: default Length(1~64)
Login Password: ***** Length(1~16)
Server IP Address: 192 . 168 . 0 . 1 xxx.xxx.xxx.xxx
Mail Subject: Barcode printer message Length(1~60)
Mail From Address: default@default.com Length(1~32)
Mail To Address: default@default.com Length(1~32)
Duration Cycle: 1 0 ~ 168 Hours
Event Counter: 5 1 ~ 100

Enable SNMP Alert Message Notification

SNMP Community: public Length(1~16)
SNMP Trap Community: public Length(1~16)
Trap IP Address: 192 . 168 . 0 . 1 xxx.xxx.xxx.xxx

Set Refresh

You can press “Set” button to apply the settings and “Refresh” button to refresh the setting values.

Alert Message Setting

For the alert message notification function, you can decide which error cases need to be sent out to the operator. Moreover, the alert messages can be set to be sent by SMTP, SNMP or both.



You can press “Set” button to apply the settings and “Refresh” button to refresh the setting values.

Printer Configuration

Set or change the configurations of connected printer. Most of key settings for the printer operation can be done by this setting page.

GoDEX NetSetting
Printer Configuration

Printer Setup

Printer Model	Tear-off Position	Speed	Darkness
G300	12	2	5
Dispenser/Applicator	Labels per Cut	Printing Mode	
0 (None)	0	Direct Thermal	

Serial Port Setting

Baud Rate	Parity	Data Bits	Stop Bits
9600	None	8	1

Miscellaneous

LCD Language	Sensing Mode
	2 - Automatic
Keyboard Country Code	Pre-Printing
	OFF
Code Page	Top Of Form
Code Page 850	2 - OFF while Power On
Buzzer	
OFF	

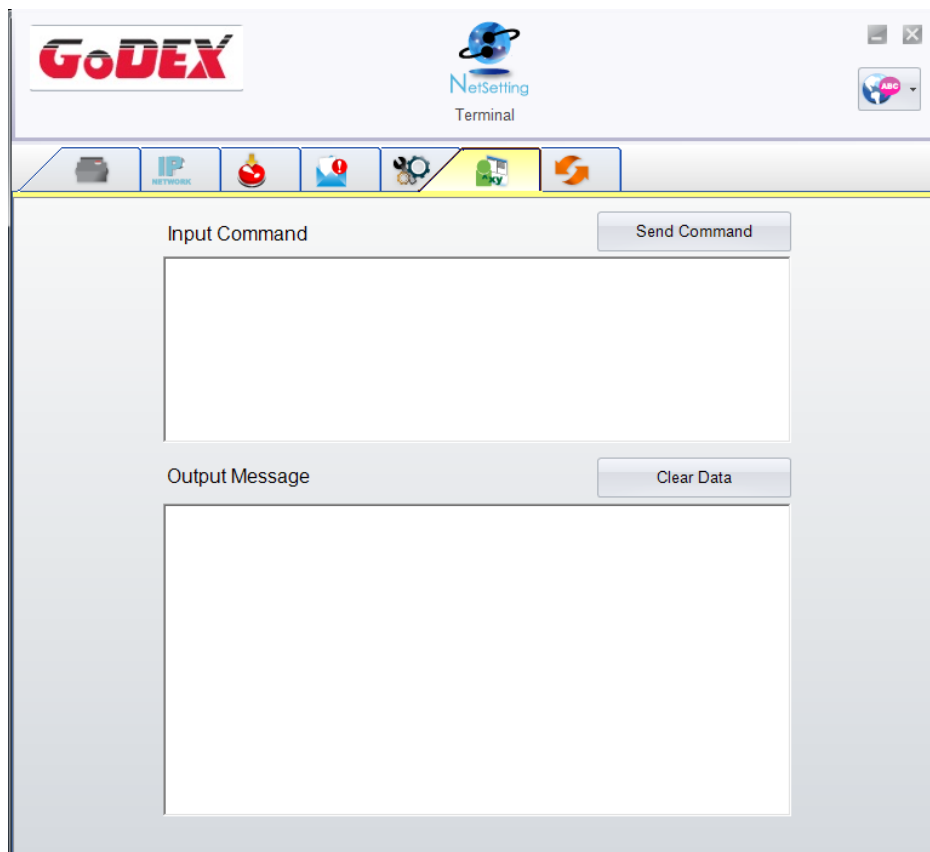
Set Refresh

You can press “Set” button to apply the settings and “Refresh” button to refresh the setting values.

User Command

The "User Command" tab provides a communication interface for operator to control the printer. Input printer commands in "Input Command" window and press "Send Command" button, the commands will be sent to the printer.

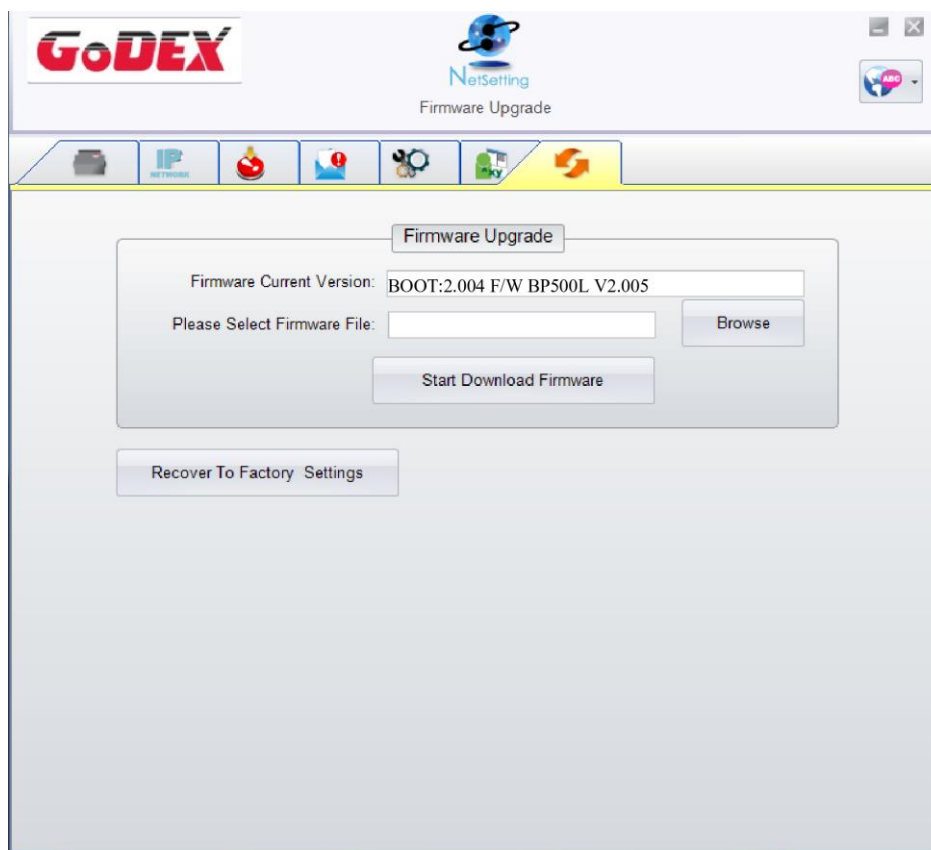
For some commands that will return response message, the message will be displayed in "Output Message" window.



You can press "Set" button to apply the settings and "Refresh" button to refresh the setting values.

Firmware Download

On “Firmware Download” tab, the current version of printer firmware will be showed on the screen. If you need to update the printer firmware, just specify the file location of firmware file and press “Start Download Firmware” button. The printer firmware then can be updated remotely.



In addition to the firmware update, you can press “Recover To Factory Settings” button to restore the printer configurations back to factory default.

5 Accessories

➤ Preparation Steps

Before installing the optional modules, please make some preparations as follows.

Step.01 ➡ Remember to switch off the printer before installing any module.

Step.02 ➡ Place the printer upside down, as figure 2 indicates.

Step.03 ➡ Remove two screws on the front of the printer base, as figure 2 indicates.

Step.04 ➡ After removing the screws, pull the bottom base cover forward. The bottom base cover can be removed now, as figure 3 indicates.

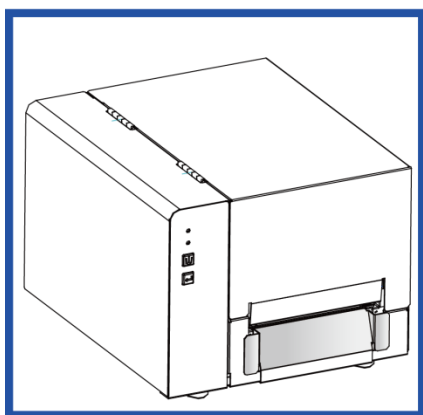


Figure 1

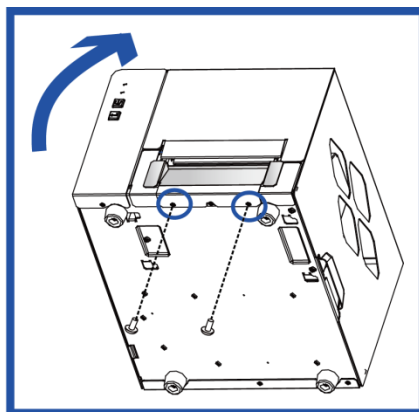


Figure 2

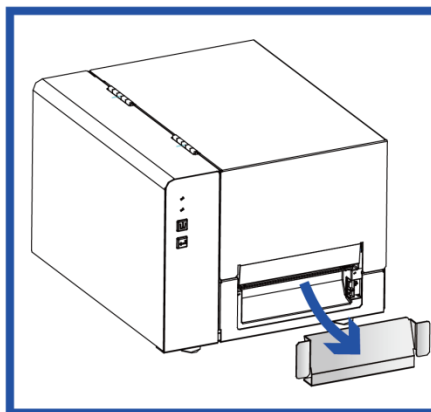
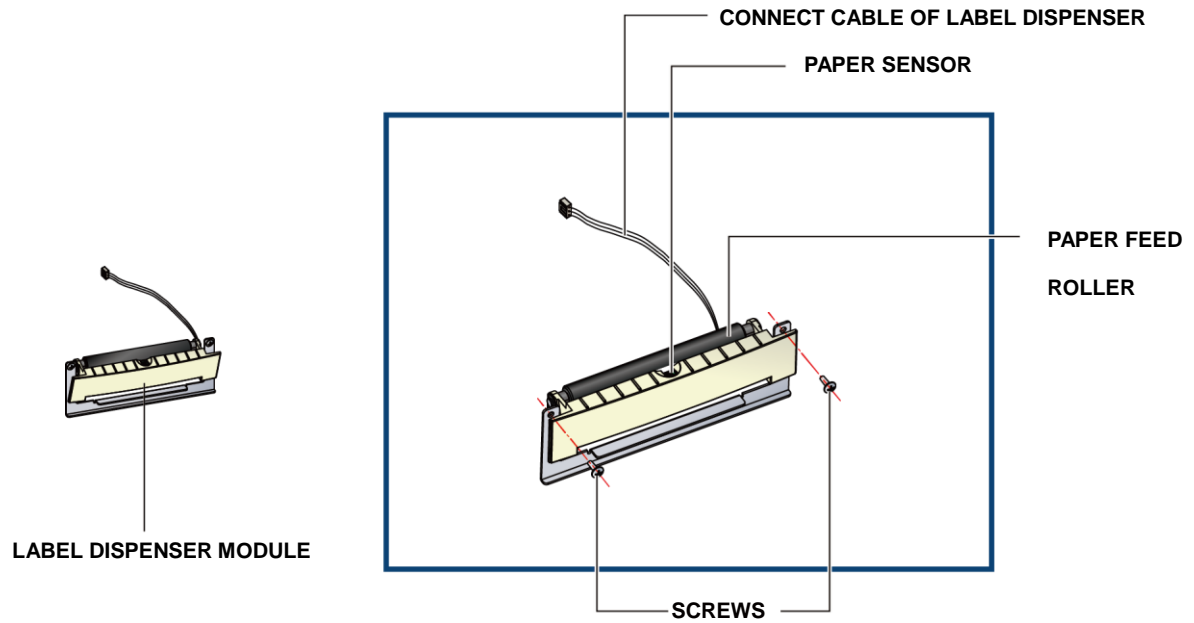


Figure 3

5-1 Installing the Label Dispenser

➤ The Overview of the Label Dispenser



NOTE

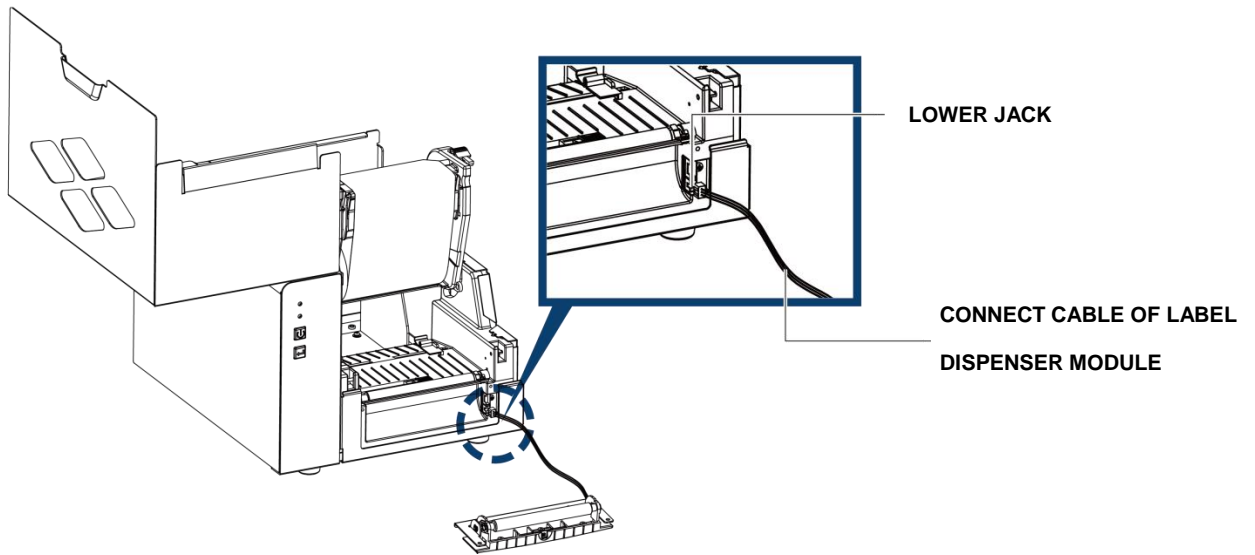
- A label liner thickness of $0.006 \text{ mm} \pm 10\%$ and a weight of $65 \text{ g/m}^2 \pm 6\%$ are recommended.
- The label dispenser will take labels up to a max. width of 110 mm, and labels should be at least 25 mm high.
- When using the label dispenser, set the stop position to 9 mm.

➤ Preparation Steps

Please complete the preparation steps before installing the label dispenser.

➤ **Installing The Label Dispenser**

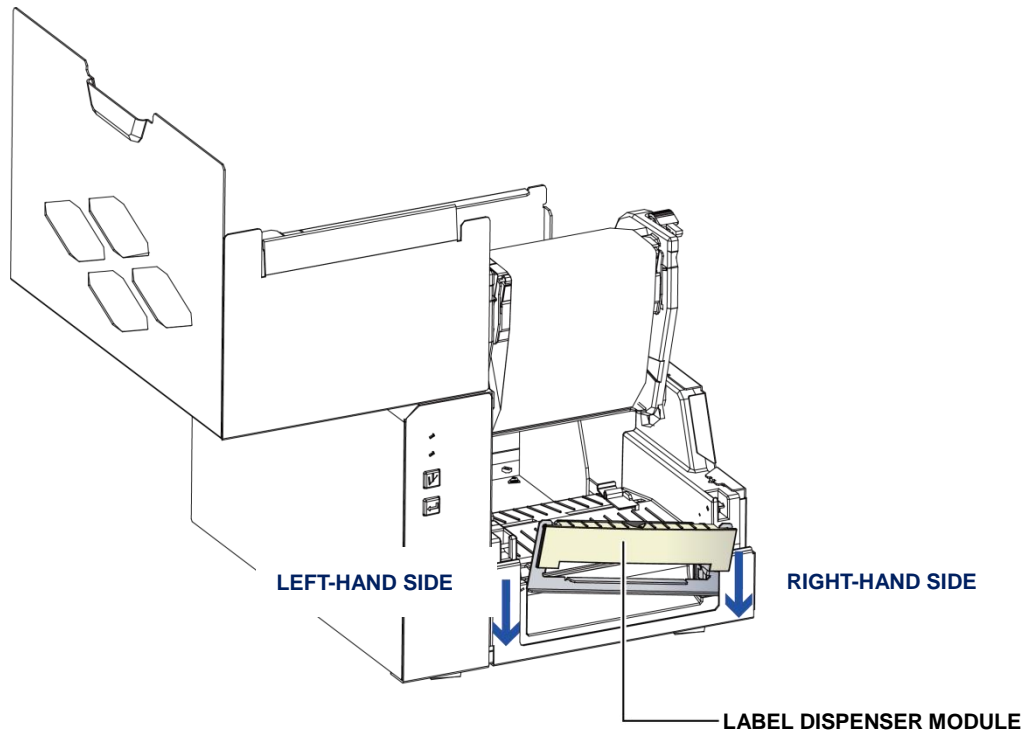
Connect the dispenser cable to the lower jack.



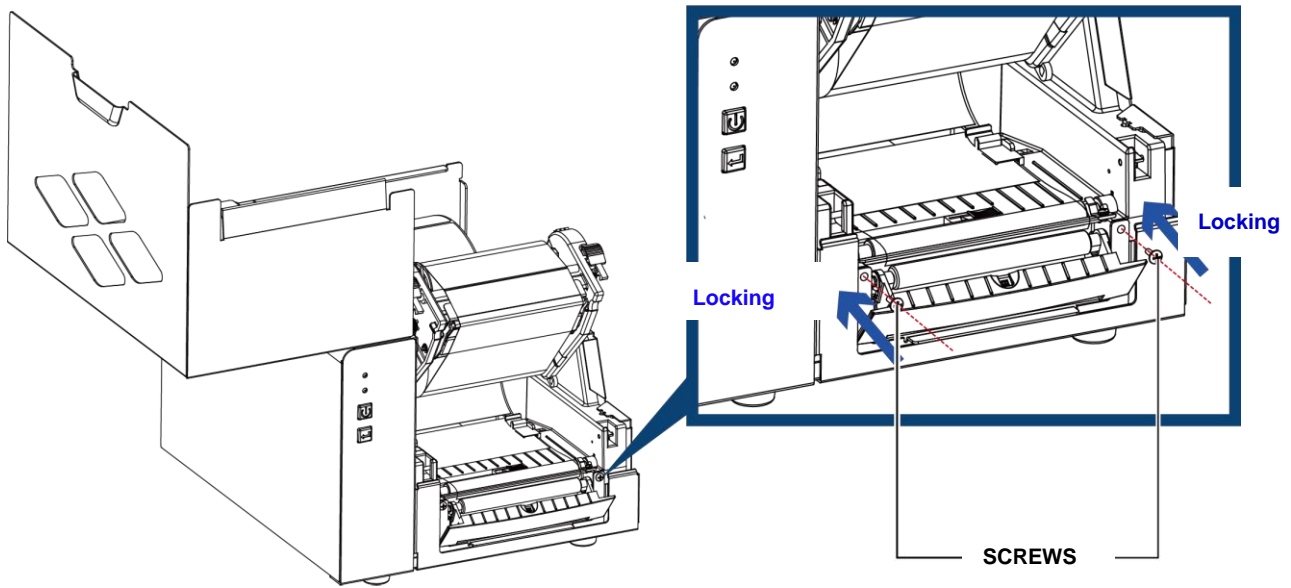
NOTE

- The printer must be switched off, or the motherboard may be damaged!
- There are 2 jacks : the lower jack is for the dispenser, the upper jack for the cutter.

Install the dispenser by pressing down first its right-hand side and then its left-hand side.

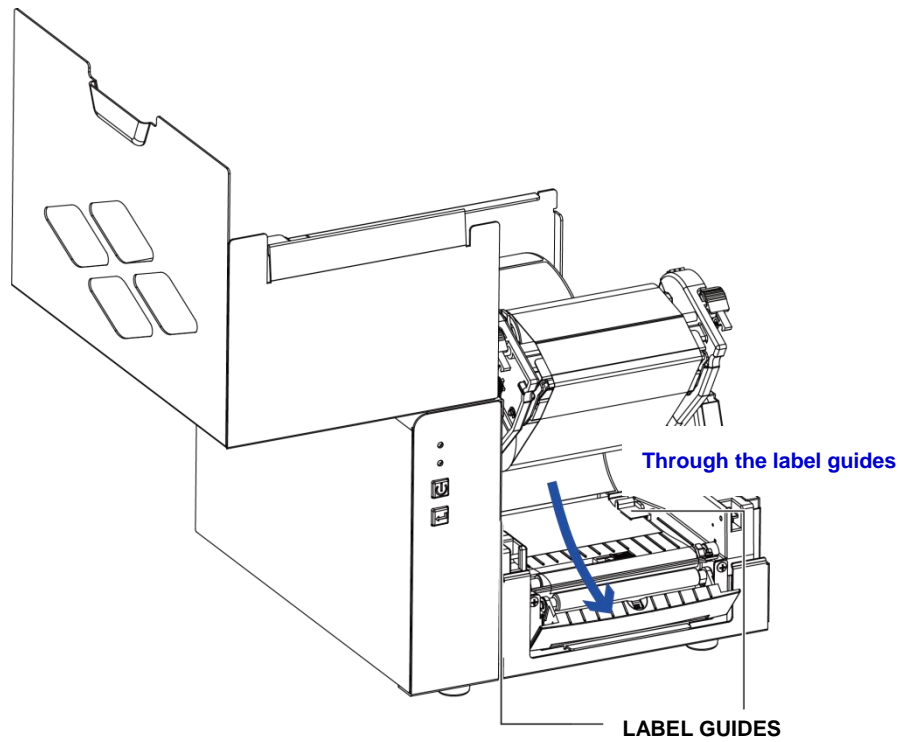


Secure the dispenser using the screws provided for this purpose.

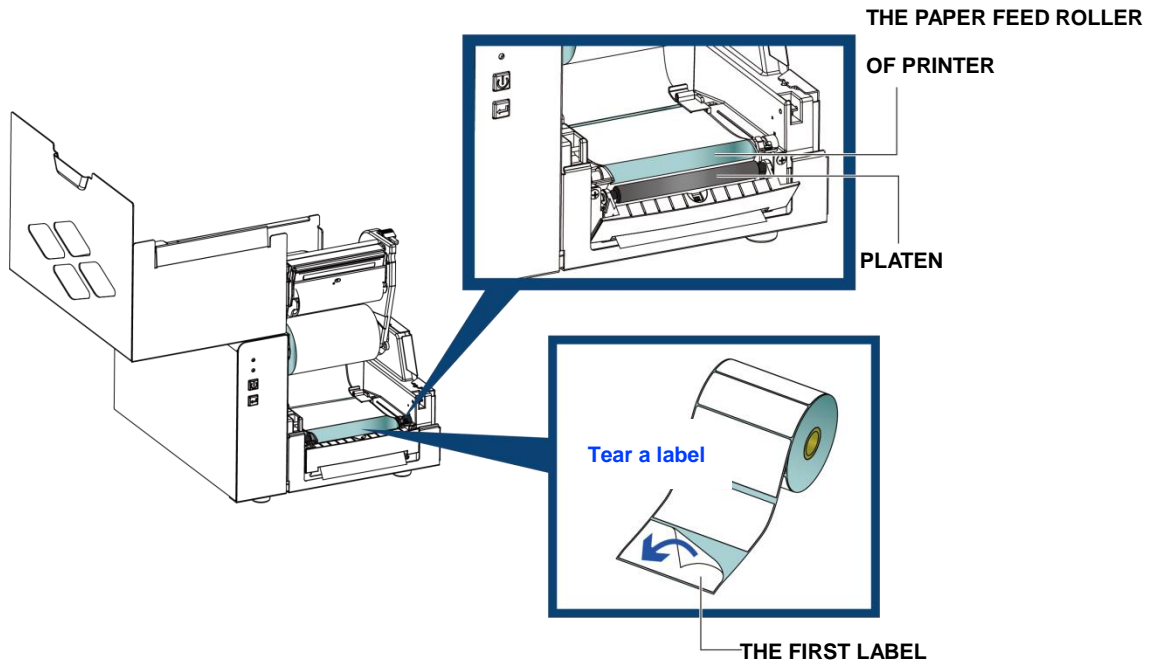


➤ **Install The Label Roll Module On The Printer**

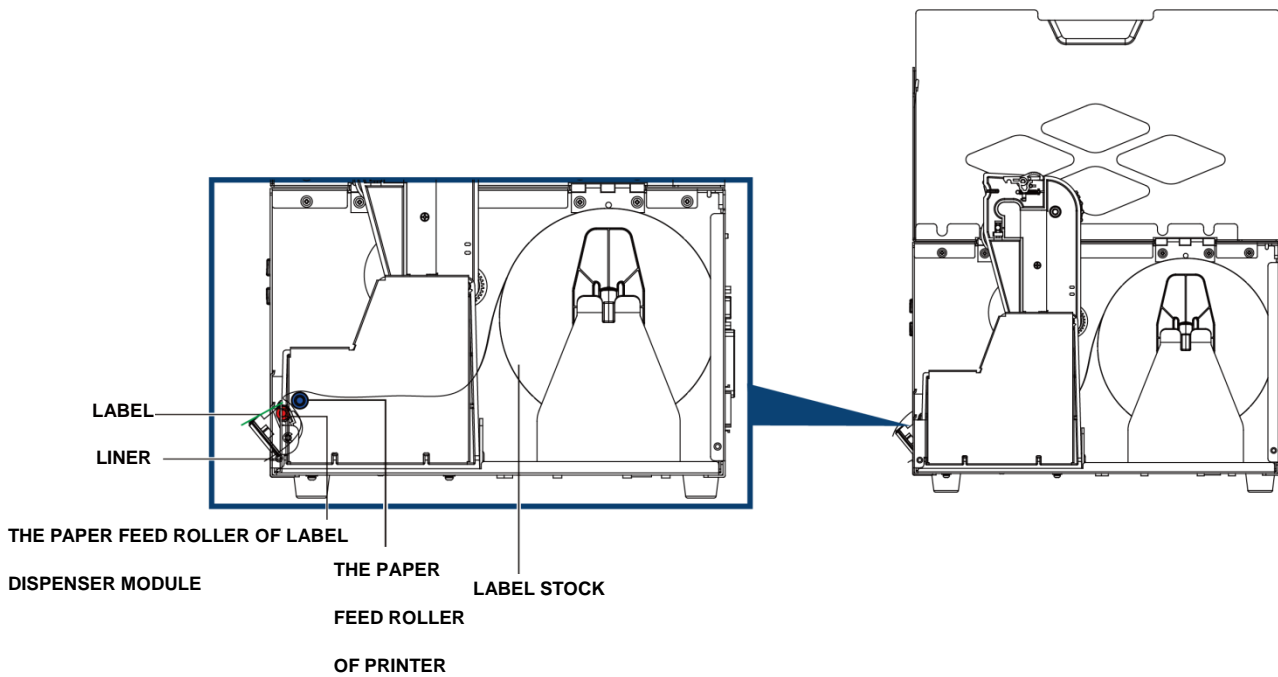
Pass the paper through the guides.



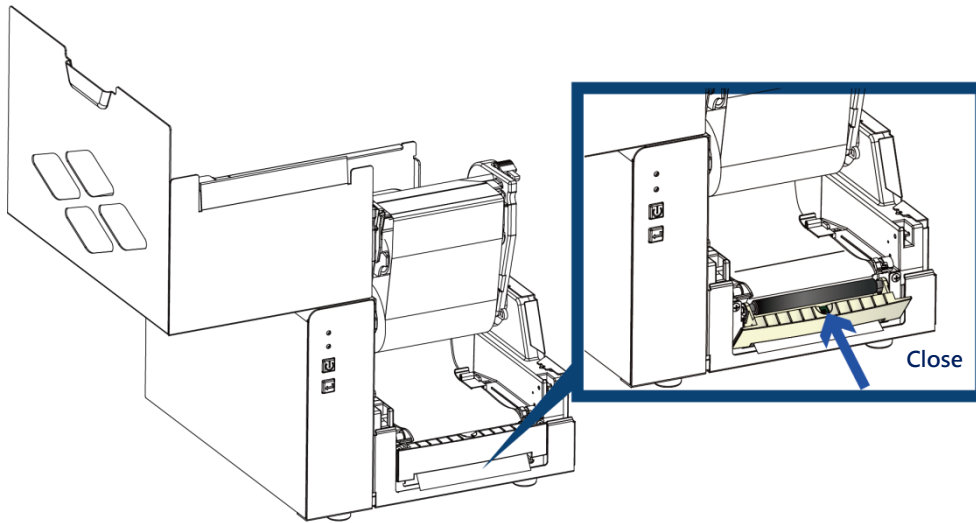
Remove the first labels from the liner, so you can pull the liner through the guides.



Pass the label stock through the printer as shown in the illustration on the right.



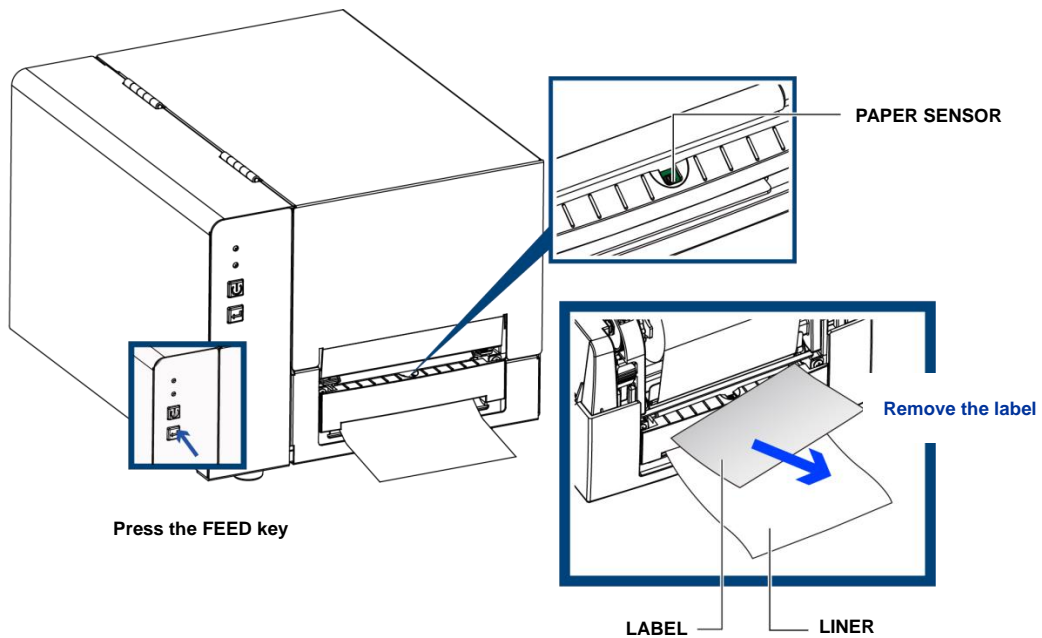
Close the label dispenser and the print mechanism. The installation is completed now.



Press the FEED button to feed the label. The label will be peeled from the liner while it passes through the label dispenser.

Note

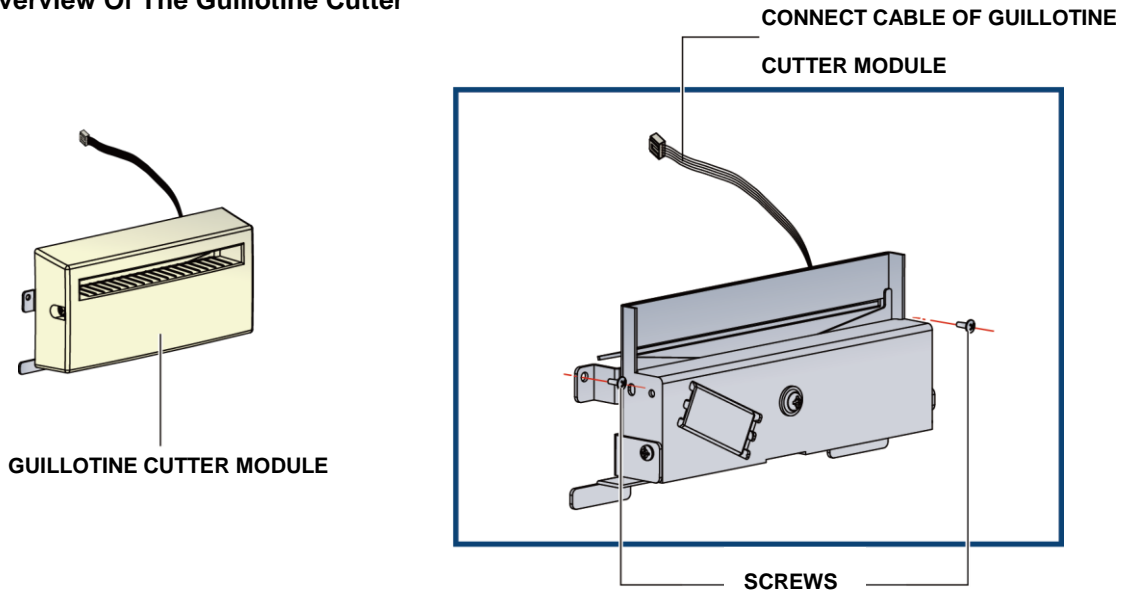
- There is a paper sensor on the Label Dispenser module. It will stop the printing if it is covered by label. Remove the last printed label and the printer will then continue to print next label.



5-2 Installing The Cutter

5-2-1 Installing The Guillotine Cutter

➤ The Overview Of The Guillotine Cutter



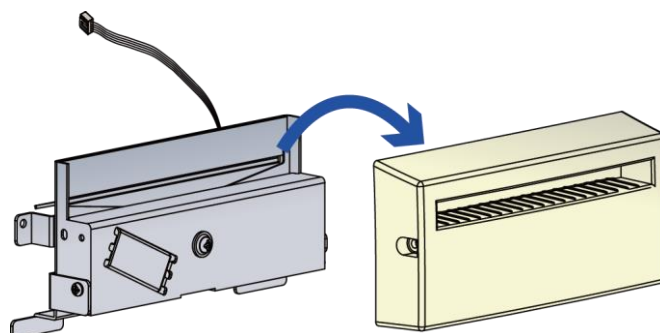
NOTE

- Remember to switch off the printer before installing the guillotine cutter.
- Do not use to cut adhesive labels! Glue residue will be left on the cutter blade and impair its functioning.
- You can cut paper with a max. width of 116 mm, and The cutter has a blade life of 400,000 cuts when using paper liner which is 250µm thick and 3 inches wide.
- Labels should be at least 30 mm high to ensure correct functioning of the cutter.

SUGGESTION

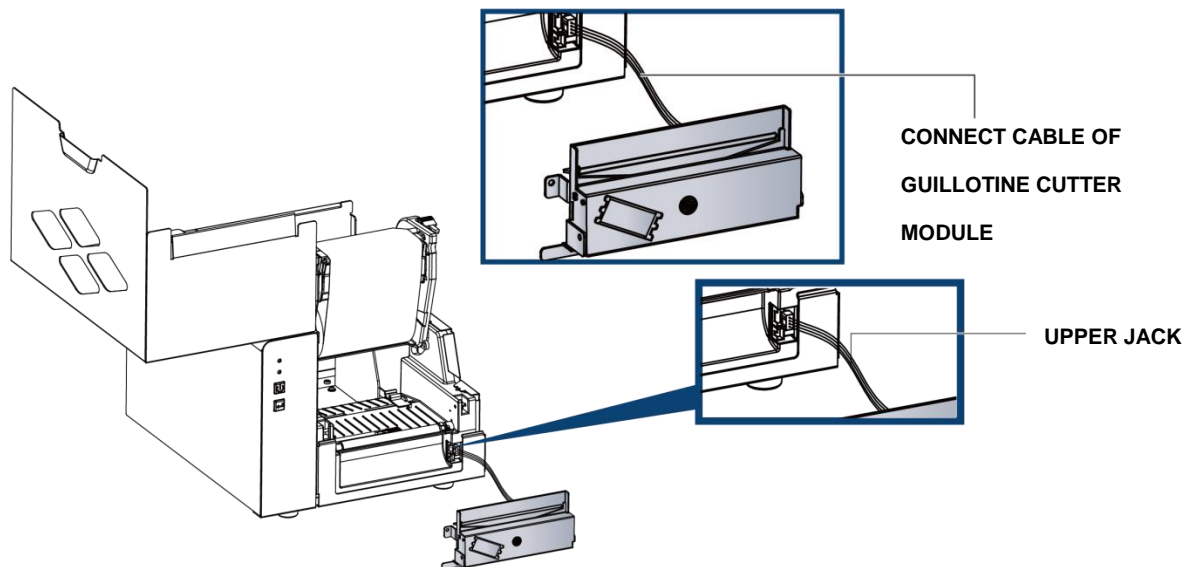
- With the cutter installed, set the stop position to 30, or the E value to 30.

Before installing the cutter module, remove the cutter cover as shown in the illustration.



➤ Preparation Steps

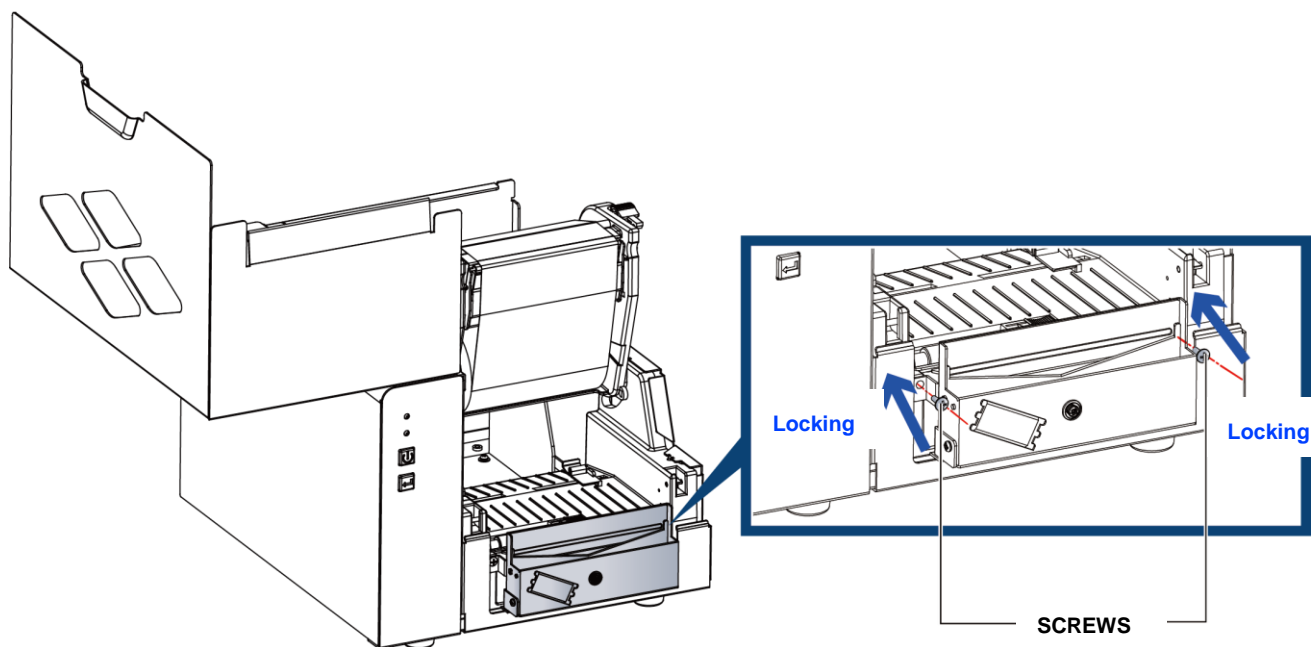
Please complete the preparation steps before installing the label dispenser.



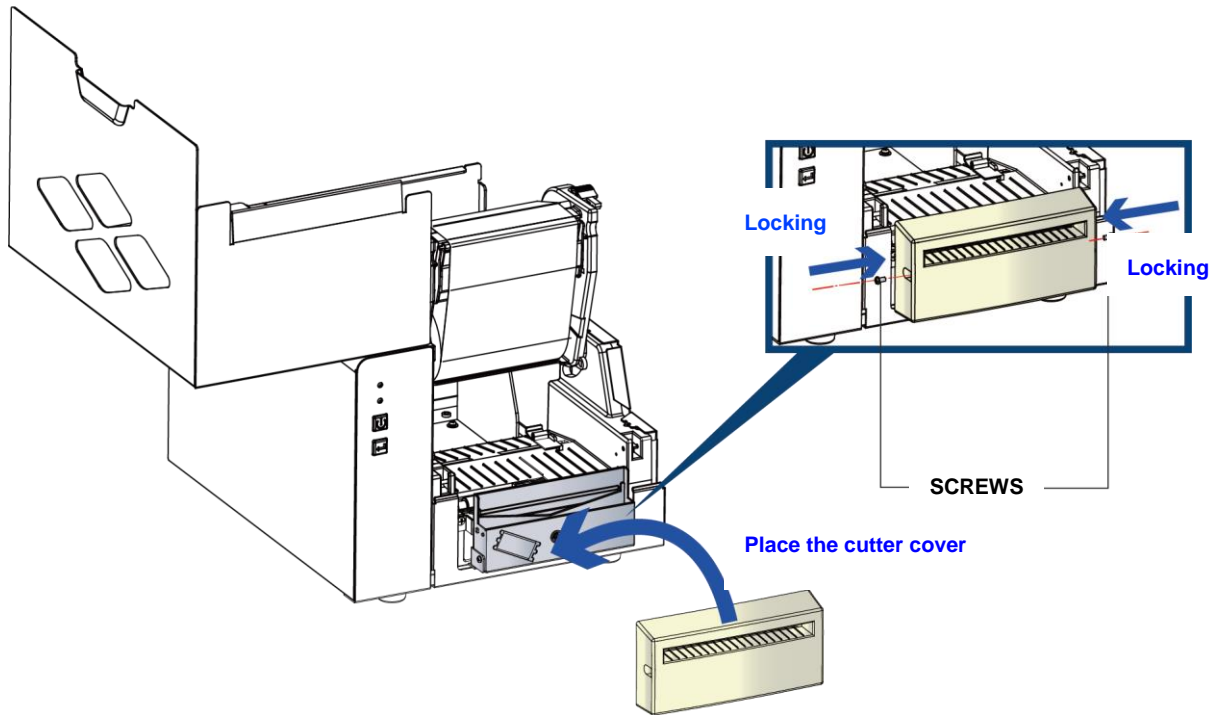
NOTE

- The printer must be switched off, or the motherboard may be damaged.
- There are 2 jacks : the lower jack is for the dispenser, the upper jack for the cutter.

Secure the cutter using the screws provided for this purpose.

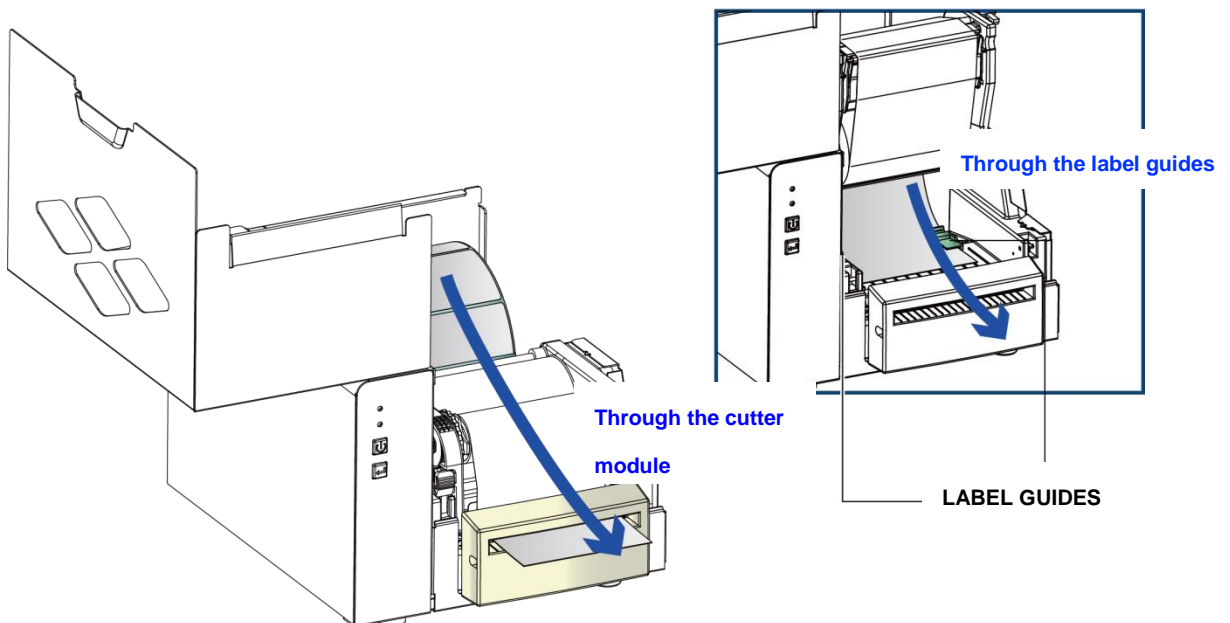


Install the cutter cover using the screws provided for this purpose.

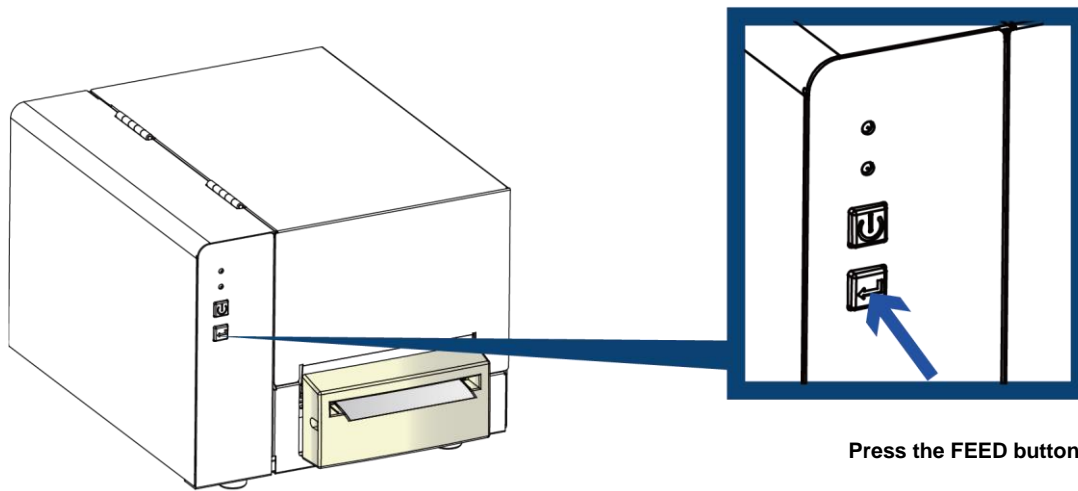


Pass the labels through the guides.

Close the printing mechanism.



To finish, press the FEED button to set the label position.

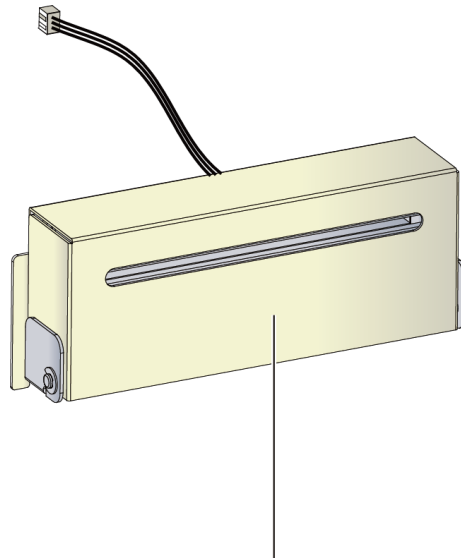


NOTE

- While using Cutter, we advise not to use in-side wound label stock.
-

5-2-2 Installing The Rotary Cutter

➤ The Overview Of The Rotary Cutter



ROTARY CUTTER MODULE

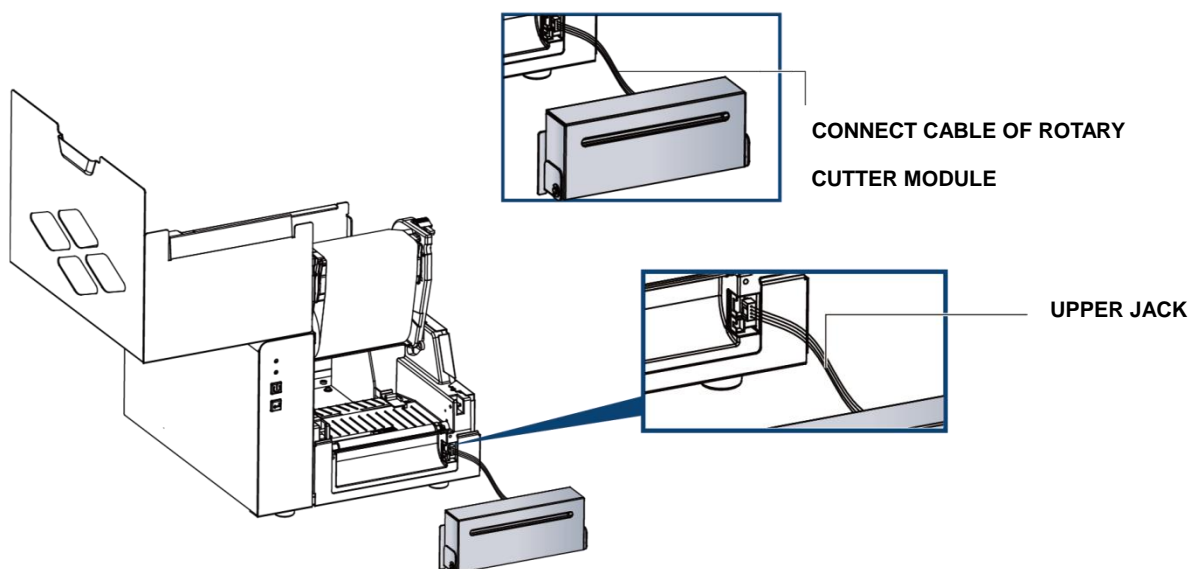
NOTE

- Remember to switch off the printer before installing the rotary cutter.
- Do not use to cut adhesive labels! Glue residue will be left on the cutter blade and impair its functioning.
- The cutter has a blade life of 500,000 cuts when using paper weighing 160 g/m², and of 250,000 cuts when using paper weighing 200 g/m².
- Labels should be at least 30 mm high.

SUGGESTION

- With the cutter installed, set the stop position to 30, and the E value to 30.
-

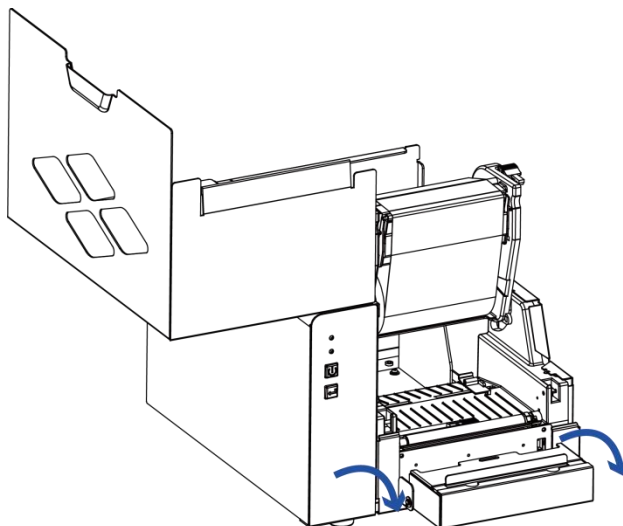
➤ **Installation of the rotary cutter**



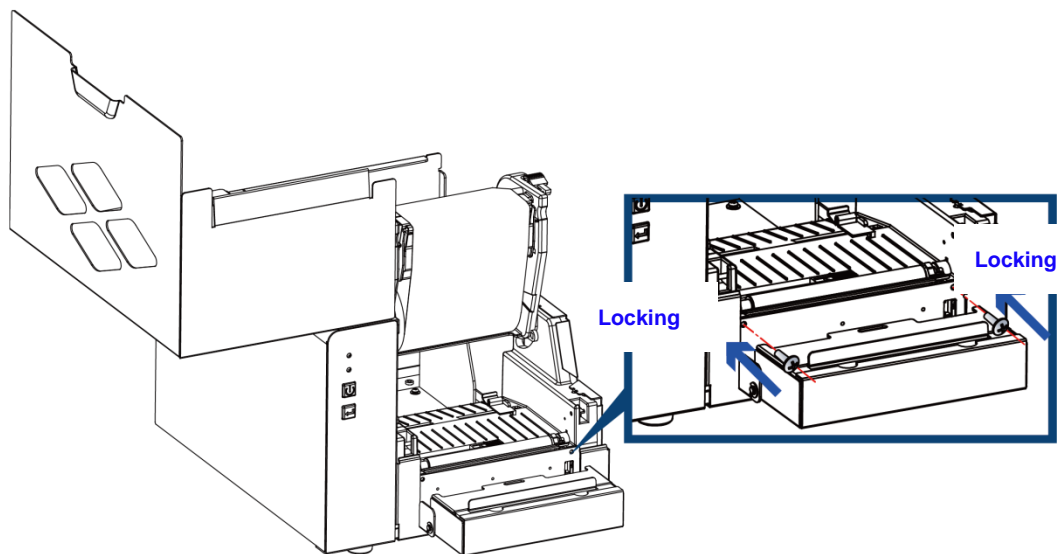
NOTE

- The printer must be switched off, or the motherboard may be damaged!
- There are 2 jacks : the lower jack is for the dispenser, the upper jack for the cutter.

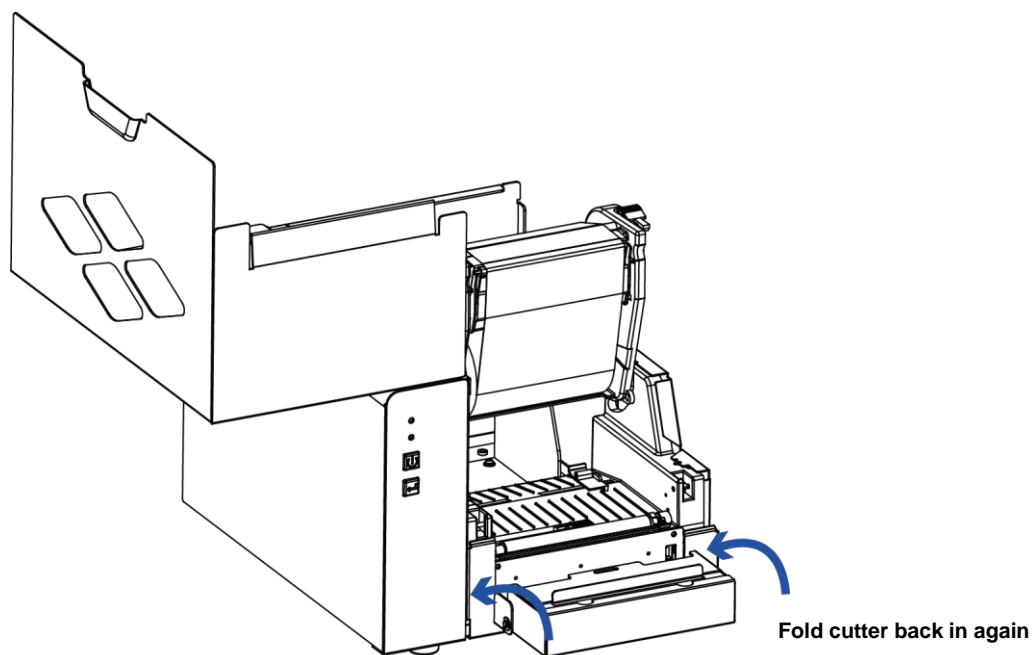
Step.01 ➡ Install the cutter by pressing down first its left-hand side and then its right-hand side.



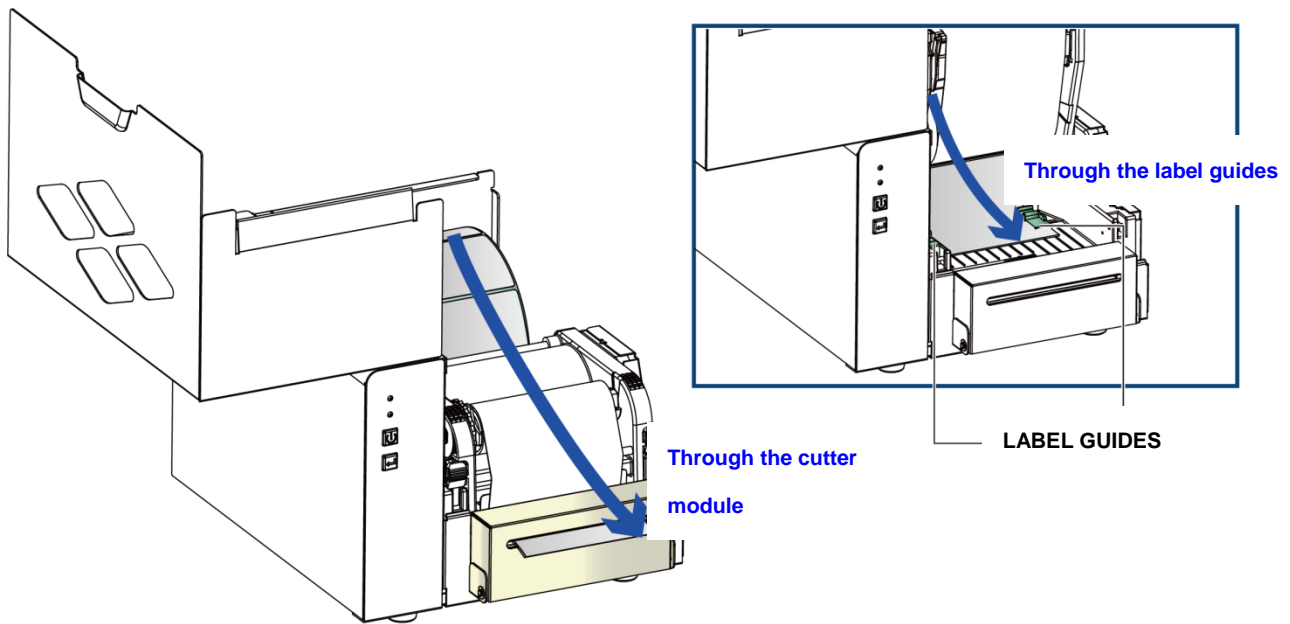
Step.02 ➡ Secure the cutter using the screws provided for this purpose.



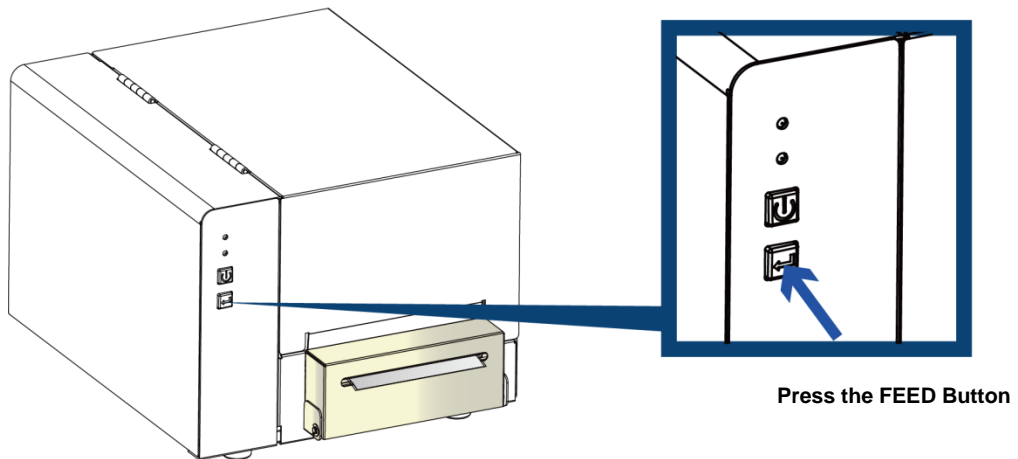
Step.03 ➡ Once you have secured the cutter with the screws, fold it back in again.



Step.04 ➡ Pass the labels through the guides and close the printing mechanism.



Step.05 ➡ To finish, press the FEED button to set the label position.



NOTE

- While using Cutter, we advise not to use in-side wound label stock.

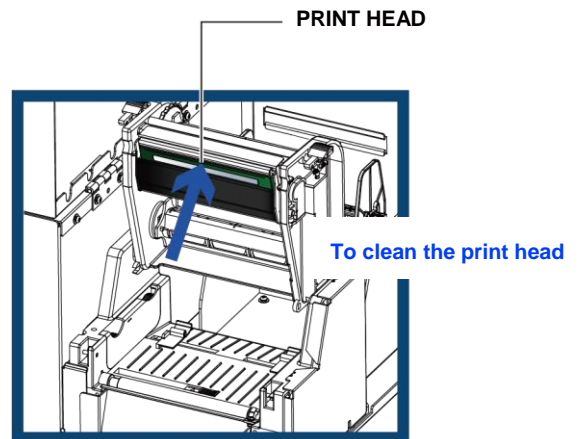
6 Maintenance And Adjustment

6-1 Cleaning The Print Head

Dirt on the print head or ribbon, or glue residue from the label stock may result in inadequate print quality. The printer cover must therefore always be closed during printing. Keeping dirt and dust away from the paper or labels ensures a good print quality and a longer lifespan of the print head.

➤ Cleaning Steps

- Step.01 ➡ Switch off the printer.
- Step.02 ➡ Open the printer cover.
- Step.03 ➡ Release the printing mechanism and lift it.
- Step.04 ➡ Remove the ribbon
- Step.05 ➡ To remove any label residue or other dirt from the print head (see blue arrow), please use a soft lint-free cloth dipped in alcohol.



NOTE

- The print head should be cleaned once a week.
- Please make sure that there are no metal fragments or other hard particles on the soft cloth used to clean the print head.

6-2 Adjusting The Print Head Pressure

When printing on special media (with varying material thickness), the print quality may suffer. You will then need to adjust the print head pressure.

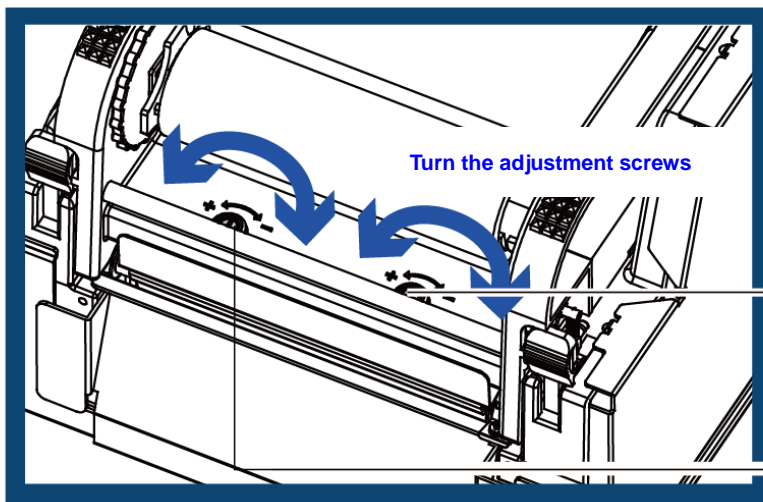
➤ Adjustment Steps

Step.01 ➡ Open the printer cover.

Step.02 ➡ Remove the ribbon.

Step.03 ➡ Use a screw driver and slowly turn the adjustment screws for the print head to increase or reduce the print head pressure. Do not screw it hard, otherwise the machine will be broken.

Step.04 ➡ Turn the adjustment screws according to actual position which is unsuccessful printed. Turn towards + (Plus) indicates : The pressure is increased ; Turn towards - (Minus) indicates: The pressure is reduced.



SCREW (RIGHT)

Screw for adjusting the print head pressure on right side

SCREW (LEFT)

Screw for adjusting the print head pressure on left side

6-3 Adjusting The Print Line

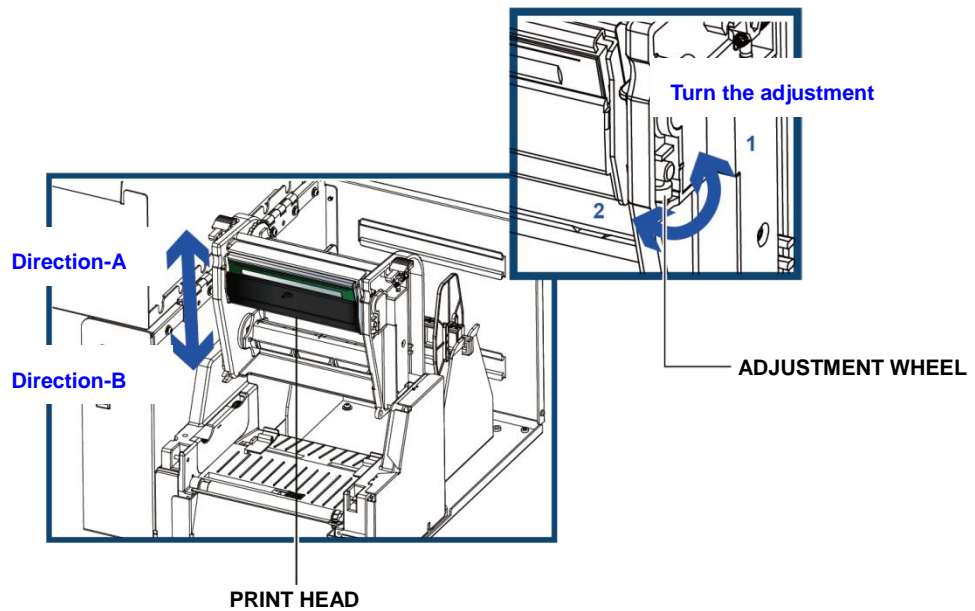
When the print line is incorrectly set, the print quality on one side of the medium may suffer.

In such a case, the print line must be adjusted so it is positioned parallel to the paper feed roller.

➤ Adjustment Methods

Step.01 ➡ To move the print head in direction B as indicated by the blue arrow, turn the adjustment wheel anticlockwise (see arrow 1).

Step.02 ➡ To move the print head in direction A as indicated by the blue arrow, turn the adjustment wheel clockwise (see arrow 2).



6-4 Adjusting The Cutter

While using the cutter, paper jams may occur. Please follow the below steps to clean the paper jam.

A socket head screw for adjusting the cutter is located on the bottom of cutter module, as shown in below illustration.

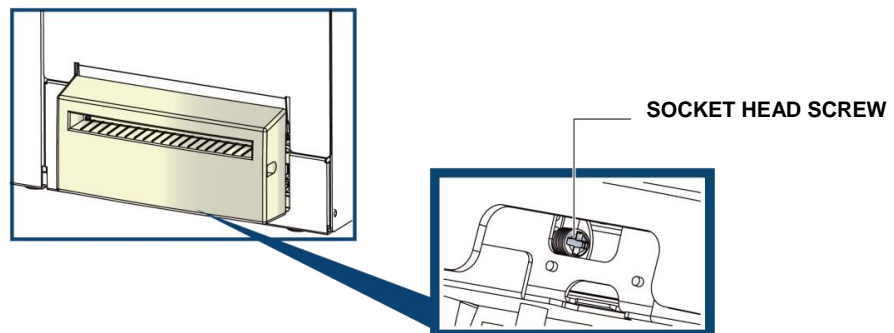
Guillotine Cutter

➤ Cleaning Steps

Step.01 ➡ Switch off the printer.

Step.02 ➡ Use a Philips screwdriver to turn the socket head screw and release the knife.

Step.03 ➡ When you have cleared the paper jam, switch on the printer again. The cutter will automatically reset.



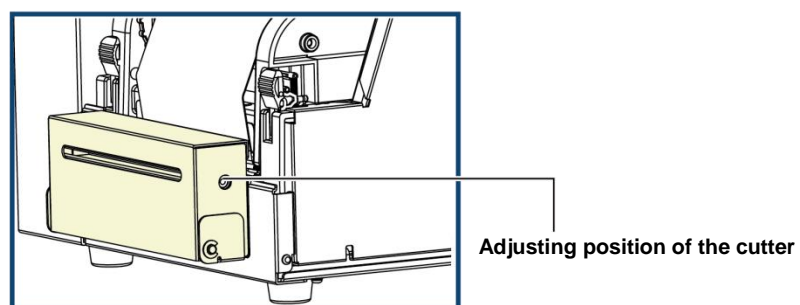
Rotary Cutter

➤ Cleaning Steps

Step.01 ➡ Switch off the printer

Step.02 ➡ Switch off the printer and use a hex key to turn the socket head screw anticlockwise.

Step.03 ➡ When you have cleared the paper jam, switch on the printer again. The cutter will automatically reset.



NOTE

- Labels should be at least 30 mm high to ensure correct functioning of the cutter.

6-5 Troubleshooting

Problem	Solution
The printer is switched on but the display does not light up.	<ul style="list-style-type: none"> ◆ Check the power supply. °
One or both LEDs light up red and printing is interrupted.	<ul style="list-style-type: none"> ◆ Check the software settings (driver settings) or command codes. ◆ Look for the error alert in the table in Section 3-3 Error alerts . ◆ Check whether the cutter is functioning normally and whether it is cutting at all. (Only if a cutter is installed.)
The label stock passes through the printer but no image is printed.	<ul style="list-style-type: none"> ◆ Please make sure that the label stock is loaded the right way up and that it is suitable material. ◆ Please make sure that the ribbon is loaded correctly.
The label stock jams during printing.	<ul style="list-style-type: none"> ◆ Clear the paper jam. Remove any label material left on the thermal print head and clean the print head using a soft lint-free cloth dipped in alcohol.
There is no printed image on part of the label or the image is blurred.	<ul style="list-style-type: none"> ◆ Check the thermal print head for dust or other dirt (label material or ribbon residue). ◆ Check for errors in the application software. ◆ Check the ribbon for wrinkles. ◆ Check the power supply. ◆ Run a self test (Section 3-2) and check the test print pattern to see whether the print head prints over the entire width of the medium. ◆ Check the quality of the print medium.
The printed image is positioned incorrectly or a label is missed out during printing.	<ul style="list-style-type: none"> ◆ Run the Label size calibration function. (Section 3-2) ◆ Check the label height setting. ◆ Check whether there is paper or dust covering the sensor. ◆ Check the paper guide settings.
The cutter does not cut off the labels in a straight line.	<ul style="list-style-type: none"> ◆ Check whether the label stock is positioned straight.
The cutter does not cut off the labels completely.	<ul style="list-style-type: none"> ◆ Check whether the label is more than 0.2 mm thick.
When using the cutter, the labels are not fed through or cut off incorrectly.	<ul style="list-style-type: none"> ◆ Check whether the cutter has been correctly installed. ◆ Check whether the paper guides are functioning correctly.
The label dispenser is not functioning normally.	<ul style="list-style-type: none"> ◆ Check whether there is dust on the label dispenser. ◆ Check whether the label stock is positioned correctly.

NOTE

- If any problems occur that are not described here, please contact your dealer.

Model Name		BP500L	BP520L	BP530L
Print Method		Thermal Transfer / Direct Thermal		
Resolution (dpi)		203 dpi (8 dots/mm)	203 dpi (8 dots/mm)	300 dpi (12 dots/mm)
Print Speed (ips)		5IPS (127 mm/s)	7IPS (177 mm/s)	5IPS (127 mm/s)
Print Width		108 mm (4.25")	108 mm (4.25")	105.7mm (4.16")
Print Length		Min. 4mm (0.16")** ; Max. 1727mm (68")	Min. 4 mm (0.16 ")** Max. 1727 mm (68 ")	Min. 4 mm (0.16 ")** Max. 762 mm (30 ")
Processor		32 bit RISC CPU		
Memory	Flash	128 MB Flash (60MB for user storage)		
	SDRAM	32 MB		
Sensor Type		Fixed transmissive sensor, central aligned Adjustable reflective sensor (full range)		
Media	Types	Continuous form, gap labels, black mark sensing, and punched hole; label length set by auto sensing or programming		
	Width	Min. 25.4 mm (1 ") ~ Max. 118 mm(4.64 ")		
	Thickness	Min. 0.06 mm (0.0024 ") ~ Max. 0.25 mm (0.01 ")		
	Label diameter roll	Max. 152 mm (6 ")		
Ribbon	Core diameter	25.4 mm (1 ") · 38.1 mm (1.5 ") · 76.2 mm (3")		
	Types	Wax · Wax/resin · resin		
	Length	300 m (981 ")		
	Width	30 mm (1.18 ") ~ 110 mm (4.33 ")		
Printer Language	Ribbon diameter roll	68 mm (2.67 ")		
	Core diameter	25.4 mm (1 ")		
Printer Language		EZPL · GEPL · GZPL · auto switch		
Software	Label design software	GoLabel (for EZPL only)		
	Driver	Windows 2000 / XP / VISTA / Windows 7 / Windows 8.1		
	DLL	Win CE, .NET, Android, Windows Mobile, Windows 2000 / XP / VISTA / Windows 7 / Windows 8.1		
Resident Fonts	Bitmap fonts	Bitmap fonts 6 · 8 · 10 · 12 · 14 · 18 · 24 · 30 · 16x26 and OCR A&B 90° · 180° · 270° rotatable, single characters 90° · 180° · 270° rotatable. 8 times expandable in horizontal and vertical directions.		
	TTF Fonts	TTF (Bold / Italic / Underline) · 0° · 90° · 180° · 270° rotatable · single characters 90°, 180°, 270° rotatable ·		
Download Fonts	Bitmap Fonts	Bitmap fonts 90°, 180°, 270° rotatable, single characters 90°, 180°, 270° rotatable ·		
	Asian Fonts	16x16, 24x24. Traditional Chinese (BIG-5), Simplified Chinese(GB2312), Japanese(S-JIS), Korean (KS-X1001) Bitmap fonts 90°, 180°, 270° rotatable, single characters 90°, 180°, 270° rotatable. Bitmap fonts 8 times expandable in horizontal and vertical directions.		
	TTF Fonts	Bitmap fonts 90°, 180°, 270° rotatable, single characters 90°, 180°, 270° rotatable ·		
Barcodes	1-D Barcodes	Code 39, Code 93, EAN 8 / 13 (add on 2 & 5), UPC A/E (add on 2 & 5), I 2 of 5 & I 2 of 5 with Shipping Bearer Bars, Codabar, Code 128 (subset A, B, C), EAN 128, RPS 128, UCC 128, UCC/EAN-128 K-Mart, Random Weight, Post NET, ITF 14, China Postal Code, HIBC, MSI, Plessey, Telepen, FIM, GS1 DataBar, German Post Code, Planet 11 & 13 digit, Japanese Postnet, I 2 of 5 with human readable check digit, Standard 2 of 5, Industrial 2 of 5, Logmars, Code 11, Code 49 and Cadablock		
	2-D Barcodes	PDF417, Datamatrix code, MaxiCode, QR code, Micro PDF417, Micro QR code 以及 Aztec code.		
Code Pages		CODEPAGE 437, 850, 851, 852, 855, 857, 860, 861, 862, 863, 865, 866, 869, 737 WINDOWS 1250, 1251, 1252, 1253, 1254, 1255, 1257 Unicode UTF8 · UTF16BE · UTF16LE		
Graphics		Resident graphic file types are BMP and PCX, other graphic formats are downloadable from the software		
Interfaces		USB Device port (B-Type)		
Control Panel		Two groups of two-color LED indicator : Ready · Status Calibration button Control key : FEED Power on/off button		
Real Time Clock		Standard		
Power		Switching power 100-240VAC, 50-60Hz input		
Environment	Operation temperature	41°F ~ 104°F (5°C ~ 40°C)		
	Storage temperature	-4°F ~ 122°F (-20°C ~ 50°C)		
Humidity	Operation	30% ~ 85% · non-condensing.		
	Storage	10% ~ 90% · non-condensing.		
Agency Approvals		CB · CCC · cUL		
Dimension	Length	320 mm (12.5 ")		
	Height	220 mm (8.7 ")		
	Width	275 mm (10.8 ")		
Options		Cutter Label dispenser with label sensor module External label rewinder Wireless LAN		

* Specifications are subject to change without notice. All company and/or product names are trademarks and/or registered trademarks of their respective owners.

機種		BP500L (DT)	BP520L (DT)
Print Method		Direct Thermal	
Resolution (dpi)		203 dpi (8 dots/mm)	
Print Speed (ips)		5IPS (127 mm/s)	7IPS (177 mm/s)
Print Width		108 mm (4.25")	
Print Length		Min. 4mm (0.16")** ; Max. 1727mm (68")	Min. 4 mm (0.16 ")** Max. 1727 mm (68 ")
Processor		32 bit RISC CPU	
Memory	Flash	128 MB Flash (60MB for user storage)	
	SDRAM	32 MB	
Sensor Type		Fixed transmissive sensor, central aligned Adjustable reflective sensor (full range)	
Media	Types	Continuous form, gap labels, black mark sensing, and punched hole; label length set by auto sensing or programming	
	Width	Min. 25.4 mm (1 ") ~ Max. 118 mm(4.64 ")	
	Thickness	Min. 0.06 mm (0.0024 ") ~ Max. 0.25 mm (0.01 ")	
	Label roll diameter	Max. 152 mm (6 ")	
	Core diameter	25.4 mm (1 ") · 38.1 mm (1.5 ") · 76.2 mm (3")	
Printer Language		EZPL · GEPL · GZPL · auto switch	
Software	Label design software	GoLabel (for EZPL only)	
	Driver	Windows 2000 / XP / VISTA / Windows 7 / Windows 8.1	
	DLL	Win CE, .NET, Android, Windows Mobile, Windows 2000 / XP / VISTA / Windows 7 / Windows 8.1	
Resident Fonts	Bitmap fonts	Bitmap fonts 6 · 8 · 10 · 12 · 14 · 18 · 24 · 30 · 16x26 and OCR A&B 90° · 180° · 270° rotatable, single characters 90° · 180° · 270° rotatable. 8 times expandable in horizontal and vertical directions.	
	TTF Fonts	TTF (Bold / Italic / Underline) · 0° · 90° · 180° · 270° rotatable · single characters 90°, 180°, 270° rotatable ·	
Download Fonts	Bitmap Fonts	Bitmap fonts 90°, 180°, 270° rotatable, single characters 90°, 180°, 270° rotatable ·	
	Asian Fonts	16x16, 24x24. Traditional Chinese (BIG-5), Simplified Chinese(GB2312), Japanese(S-JIS), Korean (KS-X1001) Bitmap fonts 90°, 180°, 270° rotatable, single characters 90°, 180°, 270° rotatable. Bitmap fonts 8 times expandable in horizontal and vertical directions.	
	TTF Fonts	Bitmap fonts 90°, 180°, 270° rotatable, single characters 90°, 180°, 270° rotatable ·	
Barcodes	1-D Barcodes	Code 39, Code 93, EAN 8 /13 (add on 2 & 5), UPC A/E (add on 2 & 5), I 2 of 5 & I 2 of 5 with Shipping Bearer Bars, Codabar, Code 128 (subset A, B, C), EAN 128, RPS 128, UCC 128, UCC/EAN-128 K-Mart, Random Weight, Post NET, ITF 14, China Postal Code, HIBC, MSI, Plessey, Telepen, FIM, GS1 DataBar, German Post Code, Planet 11 & 13 digit, Japanese Postnet, I 2 of 5 with human readable check digit, Standard 2 of 5, Industrial 2 of 5, Logmars, Code 11, Code 49 and Cadablock	
	2-D Barcodes	PDF417, Datamatrix code, MaxiCode, QR code, Micro PDF417, Micro QR code 以及 Aztec code.	
Code Pages		CODEPAGE 437, 850, 851, 852, 855, 857, 860, 861, 862, 863, 865, 866, 869, 737 WINDOWS 1250, 1251, 1252, 1253, 1254, 1255, 1257 Unicode UTF8 · UTF16BE · UTF16LE	
Graphics		Resident graphic file types are BMP and PCX, other graphic formats are downloadable from the software	
Interfaces		USB Device port (B-Type)	
Control Panel		Two groups of two-color LED indicator : Ready · Status Calibration button Control key : FEED Power on/off button	
Real Time Clock		Standard	
Power		Switching power 100-240VAC, 50-60Hz input	
Environment	Operation temperature	41°F ~ 104°F (5°C ~ 40°C)	
	Storage temperature	-4°F ~ 122°F (-20°C ~ 50°C)	
Humidity	Operation	30 % ~ 85 % · non-condensing.	
	Storage	10 % ~ 90 % · non-condensing.	
Agency Approvals		CB · CCC · cUL	
Dimension	Length	320 mm (12.5 ")	
	Height	220 mm (8.7 ")	
	Width	275 mm (10.8 ")	
Options		Cutter Label dispenser with label sensor module External label rewinder Wireless LAN	

* Specifications are subject to change without notice. All company and/or product names are trademarks and/or registered trademarks of their respective owners.